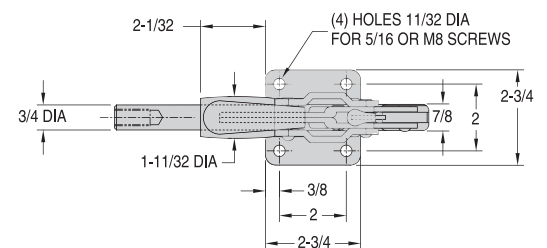
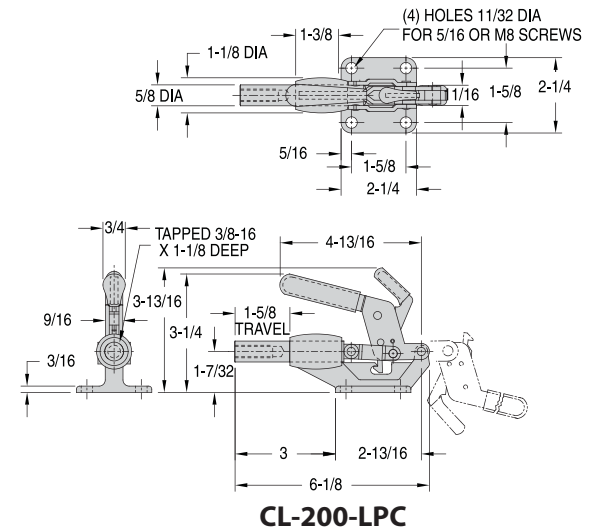
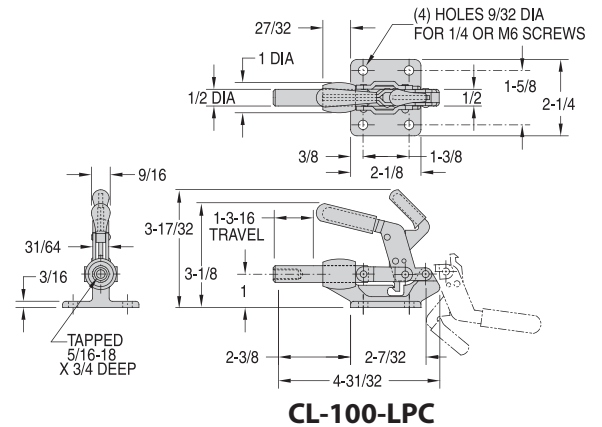
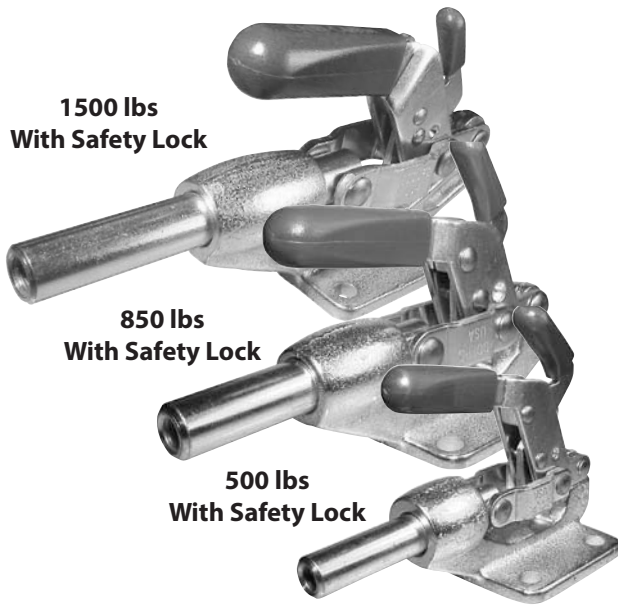


PUSH/PULL TOGGLE CLAMPS

INFO+: SEE PAGE 415 FOR MATERIAL SPECIFICATIONS



INFO+: Same as the toggle clamps shown on page 452, except with our unique safety-lock feature. This safety lock automatically engages when the clamp is closed, then remains locked until manually disengaged by pressing the lever before opening. This prevents the clamp from being accidentally opened by bumping the handle.

Durable plunger clamp with nodular iron base. Locks in extended or retracted position (safety lock functions only in extended position). Choice of three sizes.

CL-100-LPC

Small-size clamp with 1-3/16" plunger travel. Accepts any 5/16-18 spindle. Shipping weight 0.9 lbs.

Holding capacity: **500 lbs**

CL-200-LPC

Medium-size clamp with 1-5/8" plunger travel. Accepts any 3/8-16 spindle. Shipping weight 1.4 lbs.

Holding capacity: **850 lbs**

CL-300-LPC

Large-size clamp with 2-11/32" plunger travel. Accepts any 1/2-13 spindle. Shipping weight 3.2 lbs.

Holding capacity: **1500 lbs**

