

VERTICAL-HANDLE TOGGLE CLAMPS

INFO+: SEE PAGE 415 FOR MATERIAL SPECIFICATIONS



Compact heavy-duty clamps with forged steel handles and clamping arms, available in three sizes. High clamping arm provides extra room for thick workpieces. Simple, easy-opening linkage. Arm opens 83° while handle moves 83°. Weld-on flanged base is optional. To order clamp with flanged base attached, add "S" to part no. (example: CL-40-HDC-211S).

CL-40-HDC-211

High Arm

Smallest of the three sizes, yet still quite powerful. Shipping weight 2.0 lbs.

Holding capacity: 1500 lbs

CL-60-HDC-211

High Arm

Medium-size clamp with high strength. Shipping weight 2.5 lbs.

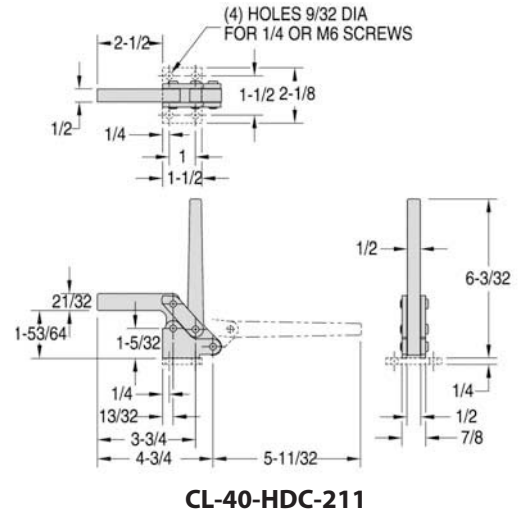
Holding capacity: 2500 lbs

CL-61-HDC-211

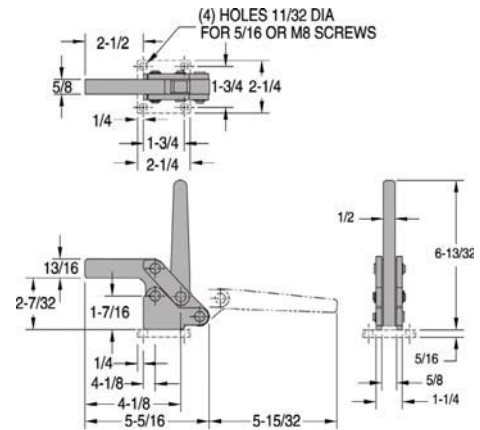
High Arm

Largest of the three sizes. Shipping weight 5.0 lbs.

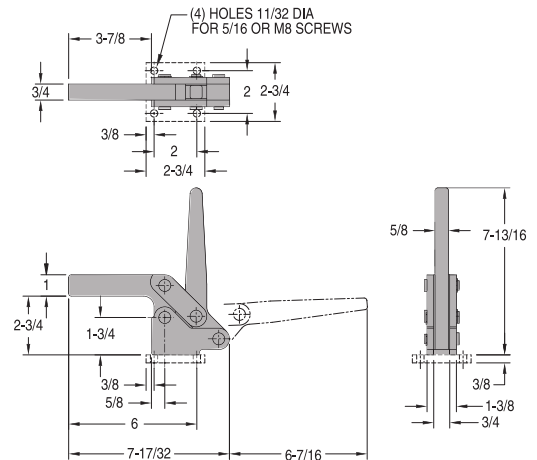
Holding capacity: 5000 lbs



CL-40-HDC-211



CL-60-HDC-211



CL-61-HDC-211

Available with standard flanged base attached...



Add "S" to part no.

Also available air powered...



CL-3000-PTC