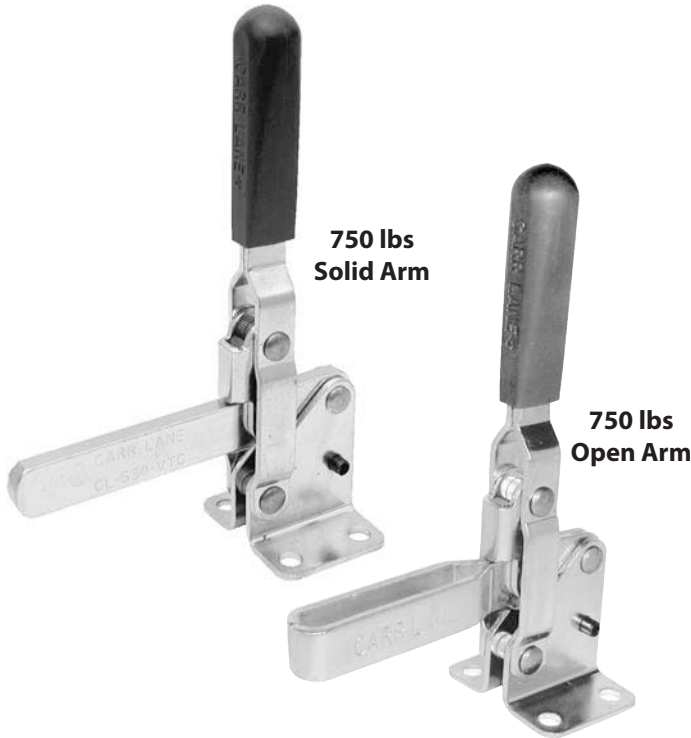


VERTICAL-HANDLE TOGGLE CLAMPS

INFO+: SEE PAGE 415 FOR MATERIAL SPECIFICATIONS



**750 lbs
Solid Arm**

**750 lbs
Open Arm**

CL-550-VTC

Solid Arm, Flanged Base

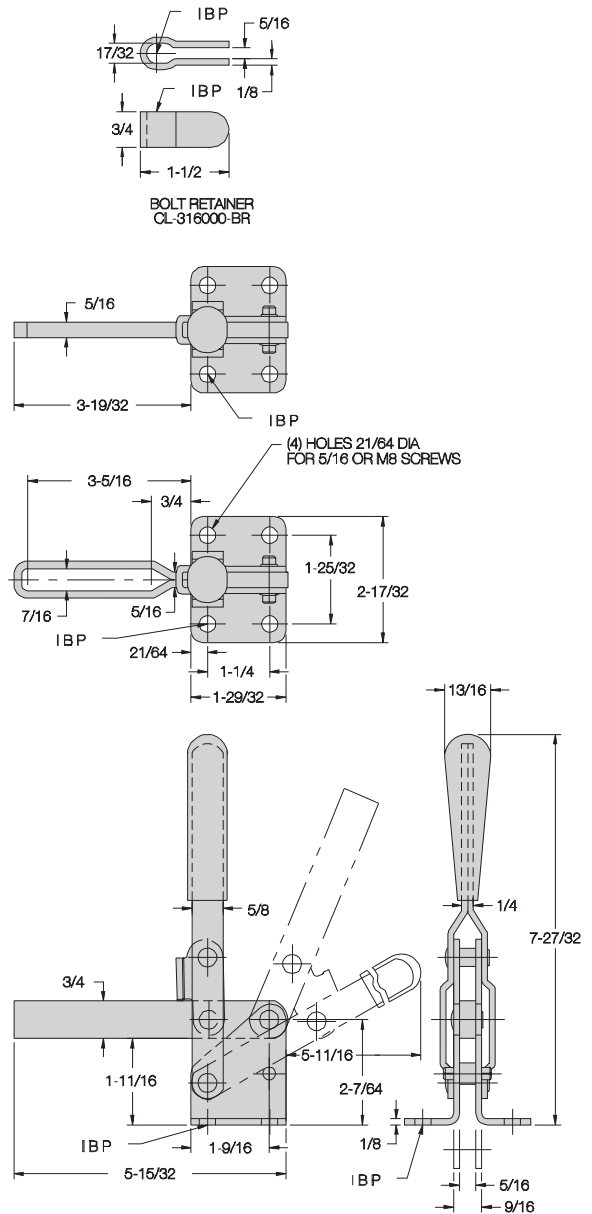
CL-650-VTC

Open Arm, Flanged Base

Larger wide-opening clamp available in several configurations. Choose either a solid arm, or an open arm for spindle adjustment. Arm opens 106° while handle moves 58°. Accepts any 3/8-16 spindle. Solid-arm version supplied with a CL-316000-BR bolt retainer. Open-arm version supplied with (2) CL-3811-TW flanged washers. Shipping weight 1.3 lbs.

Holding capacity:

750 lbs



Also available with patented automatic adjustment!

Also available in stainless steel...



CL-650-ATC



CL-650-VTC-S