

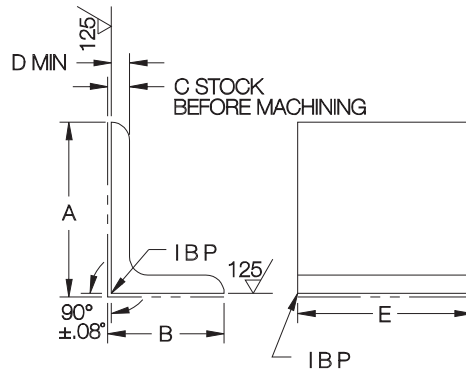
ANGLE BRACKETS

STEEL: ASTM A36, BLACK OXIDE FINISH

ALUMINUM: 6061-T6



Precision setup angles machined flat and perpendicular to close tolerances. Available in steel or high-strength aluminum.



PART NO. STEEL	PART NO. ALUMINUM	A	B	C	D	E
CL-2-AB	CL-2-AB-A	2	2	3/8	5/16	2
CL-21-AB	—	—	—			3
CL-22-AB	—	3	2	3/8	5/16	4
CL-5-AB	—	—	—			2
CL-6-AB	—	3	3	3/8	5/16	3
CL-9-AB	—	—	—			2
CL-10-AB	CL-10-AB-A	3	3	3/8	5/16	3
CL-11-AB	—	—	—			4
CL-7A-AB	—	4	3	3/8	5/16	2
CL-7B-AB	—					3
CL-12-AB	CL-12-AB-A	4	4	1/2	7/16	3
CL-13-AB	CL-13-AB-A					4
CL-14-AB	—	4	4	1/2	7/16	5
CL-24-AB	—					6
CL-15-AB	CL-15-AB-A	6	4	1/2	7/16	4
CL-16-AB	—					5
CL-17-AB	CL-17-AB-A	6	6	1/2	7/16	6
CL-18-AB	—					4
CL-19-AB	—	6	6	1/2	7/16	5
CL-20-AB	CL-20-AB-A					6

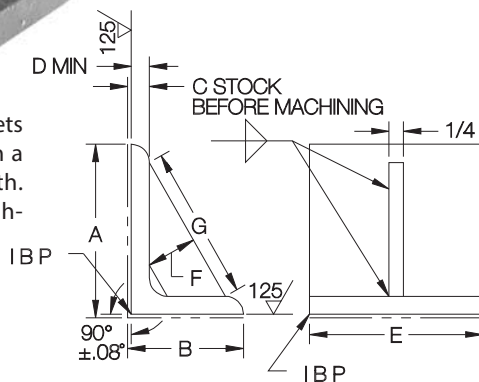
GUSSETED ANGLE BRACKETS

STEEL: ASTM A36, BLACK OXIDE FINISH

ALUMINUM: 6061-T6



Similar to the Angle Brackets shown above, except with a gusset for added strength. Available in steel or high-strength aluminum.



PART NO. STEEL	PART NO. ALUMINUM	A	B	C	D	E	F	G
CL-3A-GAB	—	3	2	3/8	5/16	2	7/8	2-3/4
CL-3B-GAB	—					3		
CL-1-GAB	—	3	3	3/8	5/16	2	1	3-7/16
CL-2-GAB	—					3		
CL-3-GAB	—	4	4	3/8	5/16	3	1	4-13/16
CL-4-GAB	—					4		
CL-5-GAB	—	4	4	3/8	5/16	4	1-1/4	3-7/8
CL-7-GAB	—					3		
CL-8-GAB	CL-8-GAB-A	3	3	3/8	5/16	2	1	3-1/4
CL-9-GAB	—					3		
CL-10-GAB	CL-10-GAB-A	4	4	1/2	7/16	3	1	4-5/8
CL-11-GAB	CL-11-GAB-A					4		
CL-12-GAB	—	6	4	1/2	7/16	5	1-1/2	6-1/4
CL-13-GAB	CL-13-GAB-A					4		
CL-14-GAB	—	6	4	1/2	7/16	5	1-1/2	6-1/4
CL-15-GAB	CL-15-GAB-A					6		
CL-16-GAB	—	6	6	1/2	7/16	4	1-1/2	7-7/16
CL-17-GAB	—					5		
CL-18-GAB	CL-18-GAB-A	6	6	1/2	7/16	6	1-1/2	7-7/16