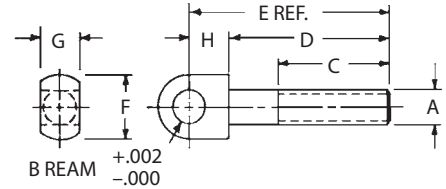


SWING BOLTS

STEEL: 1144, 115,000 PSI MIN. TENSILE STRENGTH, 100,000 PSI MIN. YIELD STRENGTH, BLACK OXIDE FINISH



Shoulder-type Eye Bolt that can be used as a stationary hinge point. Reamed hole for smooth bearing.

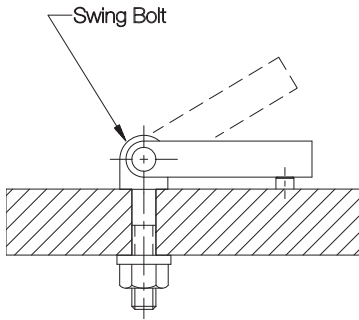


INCH

PART NO.	A	B DIA		C	D	E	F DIA	G		H
		NOMINAL	ACTUAL					NOMINAL	ACTUAL	
CL-00-SB	1/4-20	1/4	.250	3/4	1-3/16	1-1/2	1/2	5/16	.312	5/16
CL-0-SB	5/16-18	5/16	.312	1	1-5/8	2	5/8	3/8	.375	3/8
CL-1-SB	3/8-16	3/8	.375	1-3/8	2	2-1/2	3/4	1/2	.500	1/2
CL-2-SB	1/2-13	1/2	.500	1-3/4	2-1/2	3-1/8	1	5/8	.625	5/8
CL-2A-SB				2-1/4	3-1/2	4-1/8				
CL-3-SB	5/8-11	5/8	.625	1-3/4	2-3/4	3-1/2	1-1/4	3/4	.750	3/4
CL-3A-SB				2-1/2	4	4-3/4				

METRIC

PART NO.	THREAD	THREAD PITCH (mm)	B DIA (mm)	C (mm)	D (mm)	E (mm)	F DIA (mm)	G (mm)	H (mm)
CLM-00-SB	M6	1	6	20	30	40	12	8	10
CLM-0-SB	M8	1.25	8	25	40	50	16	10	15
CLM-1-SB	M10	1.5	10	35	50	65	20	12	15
CLM-2B-SB	M12	1.75	12	45	65	80	24	14	15
CLM-2C-SB				55	90	105			
CLM-3-SB	M16	2	16	45	70	90	32	18	20
CLM-3A-SB				65	100	120			



Tiny Vise® Edge Clamps

Don't let the small size fool you!



Strong, reliable clamping ideal for fixturing multiple parts

See page 267 for more information

CarrLane
MANUFACTURING CO.