

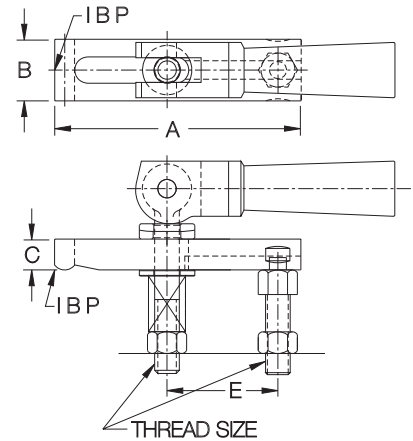
SLOTTED-HEEL CLAMP STRAPS

INFO+: SEE PAGES 96, 102, 249, 295-300, 302-303, 310, 311-314 FOR MATERIAL SPECIFICATIONS



**Straddle Cam
Steel**

A complete clamp-strap assembly using (INFO+) a slotted-heel strap from page 248 along with a Double Cam and Eyebolt. Other Eyebolt and Clamp Rest lengths are available (order pieces individually).



ASSEMBLIES — STRADDLE CAM, STEEL (INCH)

PART NO.	THREAD SIZE	A	B	C	E	CLAMP STRAP	CLAMP REST	SPRING	EYE BOLT	CAM HANDLE AND CLEVIS PIN	FLAT WASHER	SPHERICAL WASHER
CL-0-SCA	1/4-20	2	5/8	3/8	27/32	CL-0-CS	CL-1-CR	CL-5-SPG	CL-25-EB	CL-11-CH CL-610-CLVP	CL-7-FW	CL-1-SW
CL-1-SCA		2-1/2			1-3/32	CL-1-CS						
CL-1A-SCA	5/16-18	2-1/2	3/4	1/2	1-1/4	CL-1A-CS	CL-1A-CR	CL-6-SPG	CL-31-EB	CL-11A-CH CL-810-CLVP	CL-14-FW	CL-11-SW
CL-1B-SCA		3			1-11/32	CL-1B-CS						
CL-2-SCA	3/8-16	3	1-1/8	1/2	1-9/32	CL-2-CS	CL-2-CR	CL-7-SPG	CL-38-EB	CL-12-CH CL-1014-CLVP	CL-1-FW	CL-2-SW
CL-2A-SCA		3-1/2			1-17/32	CL-3A-CS						
CL-3-SCA		4			1-25/32	CL-3-CS						
CL-4-SCA		5			2-9/32	CL-4-CS						
CL-5-SCA		6			2-25/32	CL-5-CS						
CL-6A-SCA		3-1/2			1-1/2	CL-6A-CS						
CL-6-SCA	1/2-13	4	1-1/4	5/8	1-3/4	CL-6-CS	CL-4-CR	CL-9-SPG	CL-50-EB	CL-13-CH CL-1218-CLVP	CL-2-FW	CL-3-SW
CL-8-SCA		5			2-1/4	CL-8-CS						
CL-9A-SCA		6			2-3/4	CL-10-CS						
CL-17-SCA		4			1-11/16	CL-15A-CS						
CL-19-SCA	5/8-11	5	1-1/2	7/8	2-3/16	CL-16-CS	CL-6-CR	CL-11-SPG	CL-62-EB	CL-14-CH CL-2020-CLVP	CL-3-FW	CL-4-SW
CL-21-SCA		6			2-11/16	CL-18-CS						
CL-22-SCA		6-1/2			2-15/16	CL-18A-CS						
CL-24-SCA	3/4-10	6	1-3/4	1	2-5/8	CL-19-CS	CL-8-CR	CL-13-SPG	CL-75-EB	CL-15-CH CL-2024-CLVP	CL-4-FW	CL-5-SW
CL-26-SCA		7			3-1/8	CL-21-CS						
CL-28-SCA		8			3-5/8	CL-22A-CS						

ASSEMBLIES — STRADDLE CAM, STEEL (METRIC)

CLM-0-SCA	M6	2	5/8	3/8	27/32	CL-0-CS	CLM-1-CR	CL-5-SPG	CLM-25A-EB	CLM-11-CH CLM-616-CLVP	CL-7-FW	CL-1-SW
CLM-1-SCA		2-1/2			1-3/32	CL-1-CS						
CLM-2-SCA	M10	3	1-1/8	1/2	1-9/32	CL-2-CS	CLM-2-CR	CL-7-SPG	CLM-40-EB	CLM-12-CH CLM-1023-CLVP	CL-1-FW	CL-2-SW
CLM-2A-SCA		3-1/2			1-17/32	CL-3A-CS						
CLM-3-SCA		4			1-25/32	CL-3-CS						
CLM-4-SCA		5			2-9/32	CL-4-CS						
CLM-5-SCA		6			2-25/32	CL-5-CS						
CLM-6A-SCA		3-1/2			1-1/2	CL-6A-CS						
CLM-6-SCA	M12	4	1-1/4	5/8	1-3/4	CL-6-CS	CLM-4-CR	CL-9-SPG	CLM-50A-EB	CLM-13-CH CLM-1229-CLVP	CL-2-FW	CL-3-SW
CLM-8-SCA		5			2-1/4	CL-8-CS						
CLM-9A-SCA		6			2-3/4	CL-10-CS						
CLM-17-SCA		4			1-11/16	CL-15A-CS						
CLM-19-SCA	M16	5	1-1/2	7/8	2-3/16	CL-16-CS	CLM-5-CR	CL-11-SPG	CLM-62-EB	CLM-14-CH CLM-1632-CLVP	CL-3-FW	CL-4-SW
CLM-21-SCA		6			2-11/16	CL-18-CS						
CLM-22-SCA		6-1/2			2-15/16	CL-18A-CS						
CLM-24-SCA	M20	6	1-3/4	1	2-5/8	CL-19-CS	CLM-8-CR	CL-13-SPG	CLM-76A-EB	CLM-15-CH CLM-2038-CLVP	CLM-10-FW	CLM-20-SW
CLM-26-SCA		7			3-1/8	CL-21-CS						
CLM-28-SCA		8			3-5/8	CL-22A-CS						