

BULLET-NOSE DOWELS

1144 STEEL, HEAT TREATED RC 50-55, BLACK OXIDE FINISH



Dowel Pin

Bushing

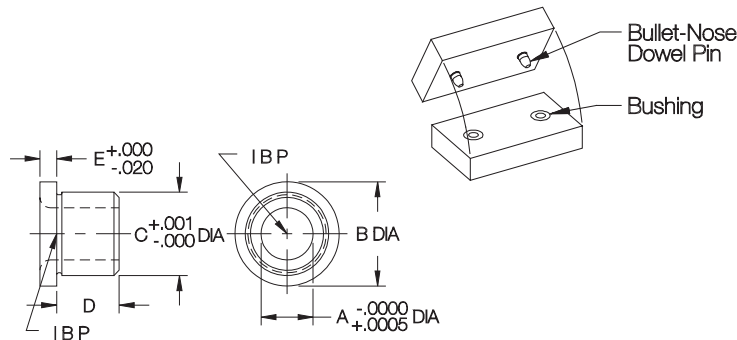
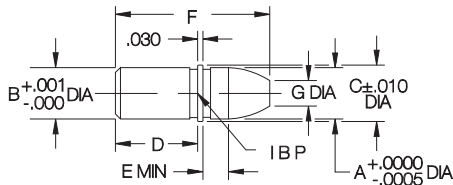
Precision locating pin often used with a matching bushing to align two pieces of a fixture. The pin's head and shank diameters are concentric to within .0005 TIR. The bushing's ID and OD are concentric to within .0003 TIR.

DOWEL PINS (INCH)

PART NO.	A HEAD DIA NOMINAL	A HEAD DIA ACTUAL	B SHANK DIA NOMINAL	B SHANK DIA ACTUAL	C DIA	D	E	F	G DIA
CL-1-BND	1/4	.2499	1/4	.2510	.280	1/2	.12	.90	1/8
CL-2-BND	5/16	.3124	5/16	.3135	.344		.15	.94	5/32
CL-3-BND	3/8	.3749	3/8	.3760	.407		.18	1.03	3/16
CL-4-BND	1/2	.4999	1/2	.5010	.532		.18	1.09	1/4

DOWEL PINS (METRIC)

PART NO.	A DIA	A DIA ACTUAL	B DIA	B DIA ACTUAL	C DIA	D	E	F	
CLM-60-BND	6mm	5.997	6mm	6.025	7mm	12mm	3mm	22mm	3mm
CLM-80-BND	8mm	7.997	8mm	8.025	9mm		4mm	23mm	4mm
CLM-100-BND	10mm	9.997	10mm	10.025	11mm		5mm	25mm	5mm
CLM-120-BND	12mm	11.997	12mm	12.025	13mm			27mm	6mm



BUSHINGS (INCH)

PART NO.	A DIA NOMINAL	A DIA ACTUAL	B DIA	C SHANK DIA NOMINAL	C SHANK DIA ACTUAL	D	E
CL-B-1000	1/4	.2501	.625	1/2	.5002	3/8	.100
CL-B-2000	5/16	.3126	.750	5/8	.6253	1/2	
CL-B-3000	3/8	.3751	.875	3/4	.7504	5/8	
CL-B-4000	1/2	.5001	.875	3/4	.7504	5/8	

BUSHINGS (METRIC)

PART NO.	A DIA	A DIA ACTUAL	B DIA	C SHANK DIA NOMINAL	C SHANK DIA ACTUAL	D	E
CLM-60-B	6mm	6.002	13mm	10mm	10.005	7	3
CLM-80-B	8mm	8.002	15mm	12mm	12.005	7	3
CLM-100-B	10mm	10.002	18mm	15mm	15.008	9	3
CLM-120-B	12mm	12.002	22mm	18mm	18.011	12	4

CONE LOCATOR PINS

1215 STEEL, CASE HARDENED, BLACK OXIDE FINISH



Pin

Bushing

Medium-accuracy tapered locating pin used with the mating bushing. These pins can be used for quick assembly of two fixture pieces, because they compensate for considerable misalignment. The pin's shank diameter and the bushing's OD are exactly the same size, to allow boring the installation hole in both fixture pieces at the same time for greater accuracy.

PIN (INCH)

PART NO.	A DIA	B DIA		C	D	E	F DIA
		NOMINAL	ACTUAL				
CL-5-CLP	3/4	1/2	.5014	3/16	3/8	5/16	.438
CL-7-CLP	1	3/4	.7515	3/16	9/16	1/2	.676

PIN (METRIC)

PART NO.	A DIA	B DIA NOMINAL	B DIA ACTUAL	C	D	E	F DIA
CLM-5-CLP	3/4	12mm	12.035	4.76	9.5	7.9	11.1
CLM-7-CLP	1	20mm	20.038	4.76	14.5	12.7	17.2

BUSHING (INCH)

PART NO.	A DIA	B DIA		C	D	E	GAP BETWEEN PIN & BUSHING HEAD WHEN ASSEMBLED
		NOMINAL	ACTUAL				
CL-5-CLB	3/4	1/2	.5014	1/4	1/4	.370	.050-.068
CL-7-CLB	1	3/4	.7515	3/8	3/8	.616	.043-.061

BUSHING (METRIC)

PART NO.	A DIA	B DIA NOMINAL	B DIA ACTUAL	C	D	E	GAP BETWEEN PIN & BUSHING HEAD WHEN ASSEMBLED
CLM-5-CLB	3/4	12mm	12.035	6.4	6.35	9.40	1.27-1.73
CLM-7-CLB	1	20mm	20.038	9.5	9.52	15.65	1.09-1.55

