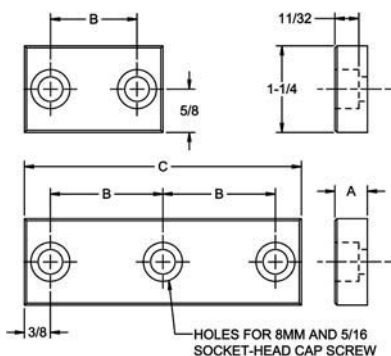


PEERLESS REST PADS

1018 STEEL, CASE HARDENED, BLACK OXIDE FINISH



Large, precision rest pad for virtually any application. Peerless Rest Pads are extremely useful as supports, side locator pads, wear pads, or jig feet. Available both ground and unground for accurate height location. Mount with socket-head cap screws (not furnished).



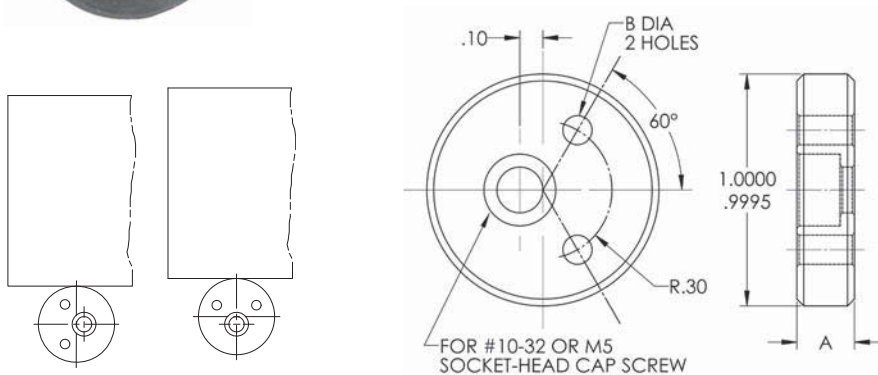
PART NO.	A	B	C	NUMBER OF HOLES
CL-36332-PXRP	.468 / .470	1-1/4	2	2
CL-5492-PXRP	.484 / .486	1-1/4	2	2
CL-36334-PXRP	.468 / .470	1-5/8	4	3
CL-5493-PXRP	.484 / .486	1-5/8	4	3
CL-36336-PXRP	.468 / .470	2-5/8	6	3
CL-5494-PXRP	.484 / .486	2-5/8	6	3

ECCENTRIC LEVELING LUGS

1215 STEEL, CASE HARDENED, BLACK OXIDE FINISH



Precision side locator that can be doweled in place after adjustment. Use for vertical leveling or horizontal locating. Available hardened, or soft to allow drilling and reaming after installation.



HARDENED

PART NO.	A	B DIA
CL-3-ELL	1/4	1/8 REAMED
CL-4-ELL	3/8	

SOFT

CL-2-ELL	3/8	#31
----------	-----	-----