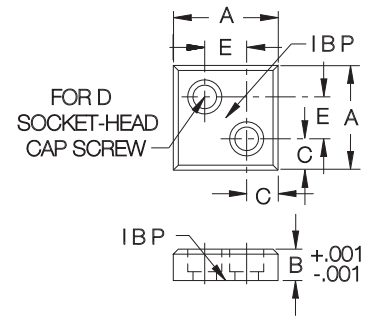
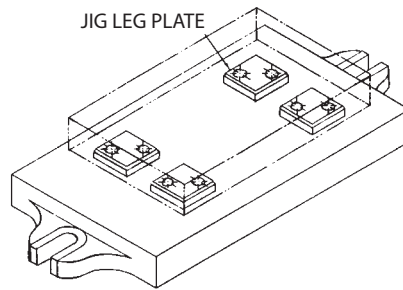


# JIG LEG PLATES

1020 STEEL, CASE HARDENED, BLACK OXIDE FINISH



Precision ground pad with a large contact area. Can be used either as a jig foot, or as a rest pad for heavy workpieces. Choice of three sizes.

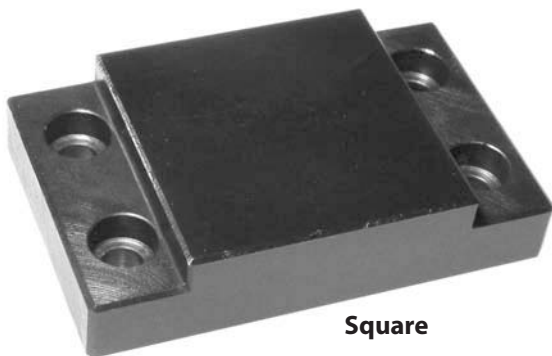
## INCH

PART NO.	A	B	C	D	E
CL-1-JLP	1	.3125	5/16	#10-32 OR M5	3/8
CL-2-JLP	1-1/4	.3750	3/8	1/4-20 OR M6	1/2
CL-3-JLP	1-1/2	.4375	7/16		5/8

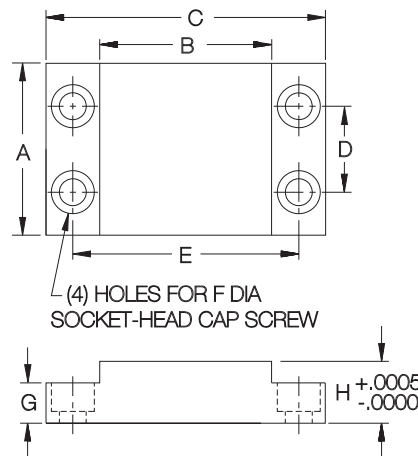
5

# HEAVY-DUTY REST PADS

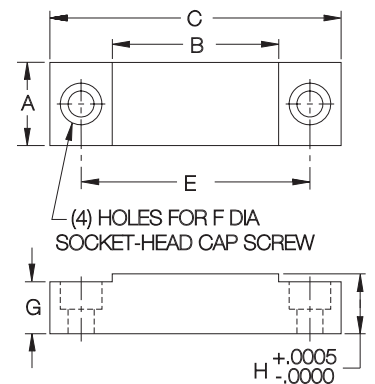
1018 STEEL, CASE HARDENED, BLACK OXIDE FINISH



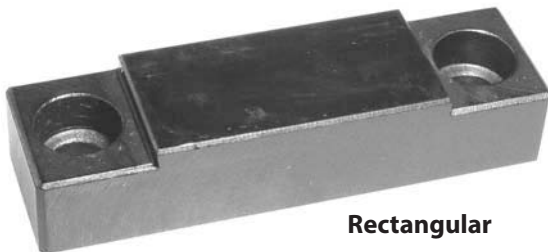
**Square**



**Square**



**Rectangular**



**Rectangular**

Large, precision rest pad for heavy-duty applications. These hardened pads have a large, durable contact surface to support heavy workpieces, or to serve as wear plates. Choice of four sizes.

## SQUARE (INCH)

PART NO.	A	B	C	D	E	F	G	H
CL-1-HDRP	2	2	3-1/4	1	2-1/2	1/4-20 OR M6	1/2	.7500

## RECTANGULAR (INCH)

CL-2-HDRP	1	2	3-1/2	—	2-3/4	5/16-18 OR M8	5/8	.7500
CL-3-HDRP		3	4-1/2		3-3/4			
CL-4-HDRP		4	5-1/2		4-3/4			