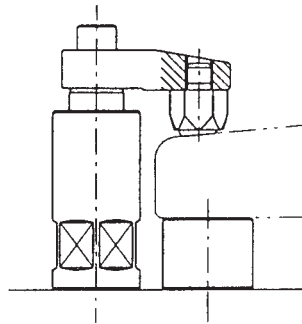


SWIVEL CONTACT BOLTS

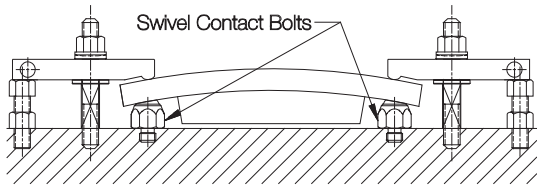
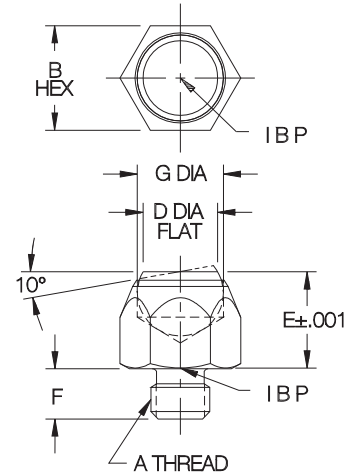
BALL: CHROME STEEL, HEAT TREATED RC 60-67
 BODY: 1144 STEEL, HEAT TREATED RC 35-40, BLACK OXIDE FINISH



Precision swivel ball that can be used as either a contact bolt or rest pad.



Swivel Contact Bolts are ideal for evenly distributing clamping pressure on sloped surfaces.



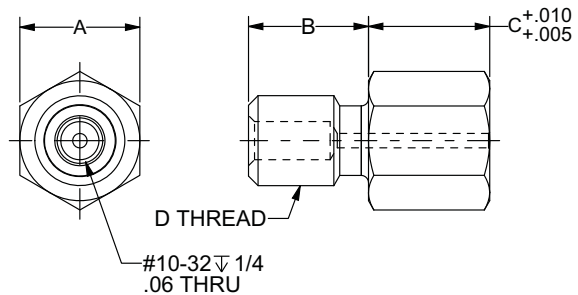
Swivel Contact Bolts are precision ground for accurate height location, even on sloped surfaces. **INFO+**: See Extension Supports (page 410).

INCH

| PART NO. | A | B | D DIA | E | | F | G |
|--------------|---------|--------|-------|---------|--------|-----|-------|
| | | | | NOMINAL | ACTUAL | | |
| CL-MF25-2502 | 5/16-18 | 9/16 | 13/32 | 1/2 | .5000 | .32 | 15/32 |
| CL-MF30-2503 | 3/8-16 | 13/16 | 19/32 | 13/16 | .8125 | .47 | 23/32 |
| CL-MF40-2501 | 1/2-13 | 7/8 | 5/8 | 13/16 | .8125 | .41 | 23/32 |
| CL-MF50-2501 | 5/8-11 | 1-1/16 | 13/16 | 1 | 1.0000 | .61 | 29/32 |

THROUGH HOLE SCREW REST BUTTON

1215 STEEL, CASE HARDENED, BLACK OXIDE FINISH



New item!

Position sensing threaded rest button with a hex machined .005 to .01" over nominal height for finish grinding after installation. Sensor contains .06 through hole allowing air to travel through and detect whether a part is loaded utilizing a sensor. The position sensing rest button also contains a #10-32 tapped hole on the shank for installation of a threaded fitting for easy air line installation. Available in inch and metric. Made in the USA.

INCH

| PART NO. | A | B | C NOMINAL | C ACTUAL | D THREAD |
|-------------|-----|-----|-----------|----------|----------|
| CL-8-SRB-PR | 1/2 | 1/2 | 1/2 | .5000 | 3/8-16 |

METRIC

| | | | | | |
|-----------------|----|----|---|-----------------|-----|
| CLM-1205-SRB-PR | 17 | 16 | 5 | 5.13mm / 5.26mm | M12 |
|-----------------|----|----|---|-----------------|-----|