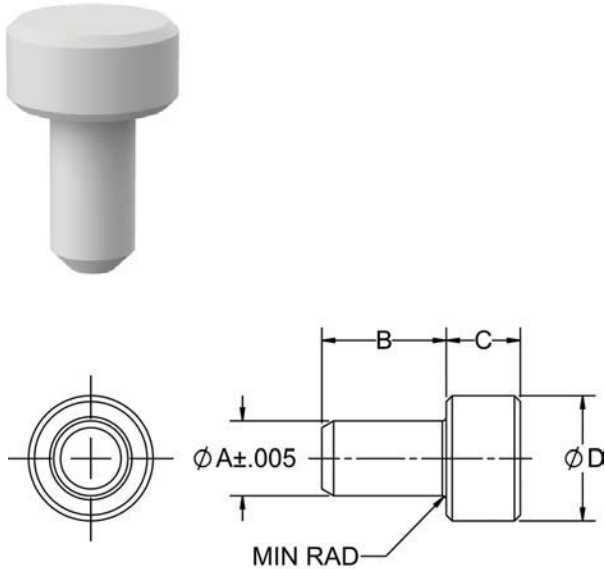


DELTRIN® REST BUTTONS

MATERIAL: WHITE DELTRIN®

Delrin® Rest Buttons are similar to our standard Rest Buttons, and Delrin® prevents marring. Rest Buttons are extremely useful as supports, side locator pads, and jig feet. Made in USA.



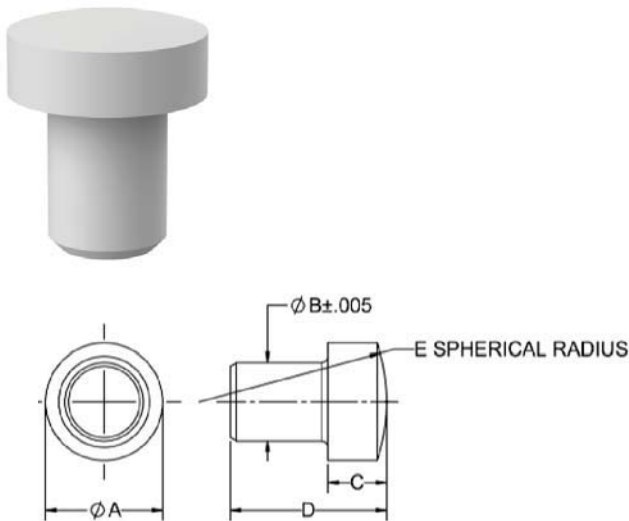
DELTRIN® REST BUTTON, FLAT(INCH)

PART NO.	A DIA	B	C	D DIA
CL-1-RB-N	.2510	.50	.500	.50
CL-2-RB-N	.2510	.50	.250	.50
CL-3-RB-N	.2510	.50	.375	.50
CL-4-RB-N	.3760	.63	.500	.63
CL-5-RB-N	.3760	.63	.250	.63
CL-6-RB-N	.3760	.63	.375	.63
CL-7-RB-N	.3760	.63	.625	.63
CL-8-RB-N	.3760	.63	.750	.63
CL-9-RB-N	.5010	.63	.500	.88
CL-10-RB-N	.6260	.75	.500	1.00
CL-11-RB-N	.7515	.88	.625	1.25
CL-12-RB-N	.1885	.38	.250	.38
CL-13-RB-N	.1885	.38	.375	.38
CL-14-RB-N	.1885	.38	.500	.38
CL-15-RB-N	.5010	.63	.375	.88
CL-16-RB-N	.5010	.63	.625	.88
CL-17-RB-N	.6260	.75	.375	1.00
CL-18-RB-N	.6260	.75	.750	1.00
CL-19-RB-N	.7515	.88	.500	1.25

5

SPHERICAL DELTRIN® REST BUTTONS

MATERIAL: WHITE DELTRIN®



SPHERICAL DELTRIN® REST BUTTON (INCH)

PART NO.	A DIA	B DIA	C	D	E
CL-1-SLB-N	5/16	.1885	.125	.375	1/2
CL-2-SLB-N	3/8	.2510	.188	.500	5/8
CL-3-SLB-N	1/2	.3760	.188	.563	3/4
CL-4-SLB-N	1/2	.3760	.250	.625	3/4
CL-5-SLB-N	1/2	.3760	.375	.750	3/4
CL-6-SLB-N	1/2	.3760	.500	.875	3/4