

GRIPPER SWIVEL PADS

BODY AND GRIPPER SCREW: STEEL, CASE HARDENED, BLACK OXIDE FINISH. O-RING: RUBBER
SWIVEL BALL ON STANDARD SIZES: 440C STAINLESS STEEL, HEAT TREATED



Hardened Tool Steel (Serrated)



Carbide Tipped (Serrated)



Solid Carbide (Serrated)



Abrasive Diamond



Bonded Urethane

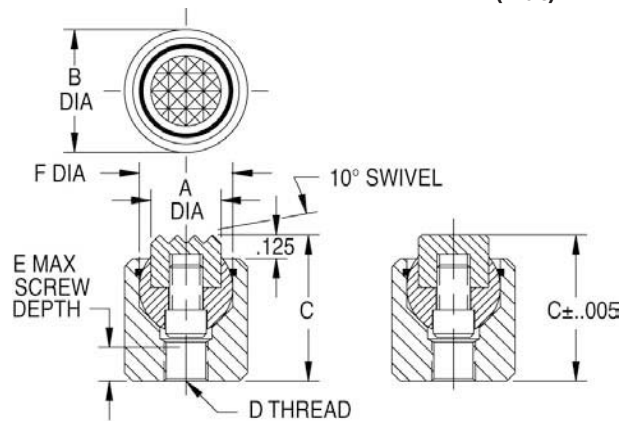


Carbide Tipped (Flat)



Hardened Steel or Stainless, or Delrin® (Flat)

Rest pad with a built-in swivel ball held by a retaining ring. A positive stop prevents the ball from swiveling too far. The swivel ball is removable to allow installing any of 11 different Round-Gripper types (order separately). Simply insert a hex wrench or rod to push the ball out from behind. Gripper Swivel Pads are available in a wide range of sizes. They can be surface-mounted or installed in a counterbored hole.



BODY AND GRIPPER — ORDER SEPARATELY (INCH)

PART NO. BODY WITHOUT GRIPPER	PART NO. — ROUND GRIPPER							A DIA	B DIA	C	D	E	F DIA	H	J	SERRATIONS	
	HARDENED TOOL STEEL (SERRATED)	CARBIDE TIPPED (SERRATED)	SOLID CARBIDE (SERRATED)	ABRASIVE DIAMOND	BONDED URETHANE	CARBIDE TIPPED (FLAT)	STEEL, SS, OR DELRIN® (FLAT)										
CL-6-GSP	CL-6-RG	CL-6-RGT	—	CL-6-RGD	CL-6-RGU-1 CL-6-RGU-2 CL-6-RGU-3	CL-6-RGFT	CL-6-RGF CL-6-RGF-S CL-6-RGFN	3/8	5/8	7/8	1/4-28	.24	1/2	3/4	1	XFine	.094x90°
CL-8-GSP	CL-8-RG	CL-8-RGT	CL-8-RGC	CL-8-RGD	CL-8-RGU-1 CL-8-RGU-2 CL-8-RGU-3	CL-8-RGFT	CL-8-RGF CL-8-RGF-S CL-8-RGFN	1/2	13/16	1	5/16-24	.35	5/8	7/8	1-1/8	Fine	.125x90°
CL-10-GSP	CL-10-RG	CL-10-RGT	CL-10-RGC	CL-10-RGD	CL-10-RGU-1 CL-10-RGU-2 CL-10-RGU-3	CL-10-RGFT	CL-10-RGF CL-10-RGF-S CL-10-RGFN	5/8	15/16	1	3/8-24	.28	3/4	7/8	1-1/8		
CL-12-GSP	CL-12-RG	CL-12-RGT	CL-12-RGC	CL-12-RGD	CL-12-RGU-1 CL-12-RGU-2 CL-12-RGU-3	CL-12-RGFT	CL-12-RGF CL-12-RGF-S CL-12-RGFN	3/4	1-1/8	1-1/16	1/2-20	.25	7/8	15/16	1-3/16		
CL-16-GSP	CL-16-RG	CL-16-RGT	—	CL-16-RGD	CL-16-RGU-1 CL-16-RGU-2 CL-16-RGU-3	CL-16-RGFT	CL-16-RGF CL-16-RGF-S CL-16-RGFN	1	1-1/2	1-3/8		.44	1-1/8	1-1/4	1-1/2		

BODY AND GRIPPER — ORDER SEPARATELY (METRIC)

CLM-10-GSP	CLM-10-RG	CLM-10-RGT	—	CLM-10-RGD	CLM-10-RGU-1 CLM-10-RGU-2 CLM-10-RGU-3	—	CLM-10-RGF CLM-10-RGF-S CLM-10-RGFN	10mm	.67	.866	M6	.29	.512	.71	.95	XFine	.094x90°
CLM-12-GSP	CLM-12-RG	CLM-12-RGT	—	CLM-12-RGD	CLM-12-RGU-1 CLM-12-RGU-2 CLM-12-RGU-3	—	CLM-12-RGF CLM-12-RGF-S CLM-12-RGFN	12mm	.75	.945	M8	.33	.591	.79	1.02	Fine	.125x90°
CLM-16-GSP	CLM-16-RG	CLM-16-RGT	—	CLM-16-RGD	CLM-16-RGU-1 CLM-16-RGU-2 CLM-16-RGU-3	—	CLM-16-RGF CLM-16-RGF-S CLM-16-RGFN	16mm	.94	1.102	M10	.35	.787	.95	1.18		
CLM-20-GSP	CLM-20-RG	CLM-20-RGT	—	CLM-20-RGD	CLM-20-RGU-1 CLM-20-RGU-2 CLM-20-RGU-3	—	CLM-20-RGF CLM-20-RGF-S CLM-20-RGFN	20mm	1.18	1.181	M12	.33	.906	1.02	1.26		
CLM-25-GSP	CLM-25-RG	CLM-25-RGT	—	CLM-25-RGD	CLM-25-RGU-1 CLM-25-RGU-2 CLM-25-RGU-3	—	CLM-25-RGF CLM-25-RGF-S CLM-25-RGFN	25mm	1.42	1.417	M12	.47	1.102	1.26	1.50		