

SPRING STOP BUTTONS

BODY: ALUMINUM ALLOY; SPRING: SPRING STEEL (OR STAINLESS STEEL)
 PLUNGER: MILD STEEL, CASE HARDENED, BLACK OXIDE FINISH (OR STAINLESS STEEL, OR DELRIN®)



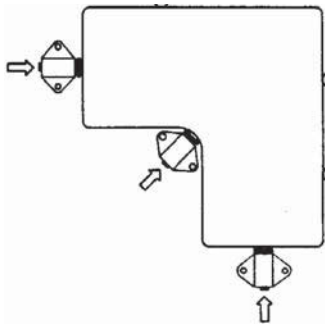
Large
CL-30A-SSB



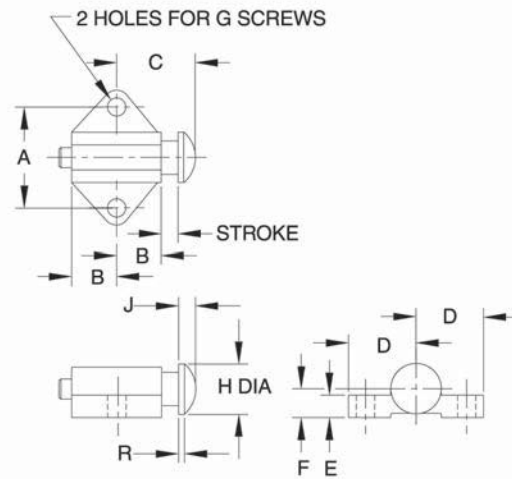
Medium
CL-20A-SSB



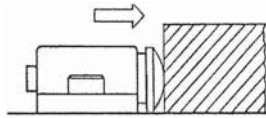
Small
CL-10A-SSB



Spring Stop Buttons are ideal for holding a workpiece against its locators until clamps are in place, and for other light clamping jobs. Choice of three sizes in each type. The smallest of the three sizes is optionally available with light spring force.



Type A
Spherical Radius



Spring-loaded plunger has a spherical radius to exert contact force at a single point. Choice of steel, stainless steel, or Delrin® plunger.

TYPE A – SPHERICAL RADIUS (STEEL)

| PART NO. STANDARD FORCE | PART NO. LIGHT FORCE | STROKE | STANDARD CONTACT FORCE (LBS) | | | LIGHT CONTACT FORCE (LBS) | | | A | B | C | D | E | F | G DIA | H DIA | J | R |
|-------------------------------|----------------------------|--------|------------------------------------|---------|-------|---------------------------------|---------|-------|-------|-------|-------|------|------|------|-----------|----------|------|------|
| | | | INITIAL | HALFWAY | FINAL | INITIAL | HALFWAY | FINAL | | | | | | | | | | |
| CL-10A-SSB | CL-10A-SSB-2 | 1/8 | 5 | 10 | 15 | 1.5 | 2 | 2.5 | .656 | 11/32 | 19/32 | 7/16 | 3/16 | 7/32 | #5 or M3 | 3/8 | 1/8 | 1/16 |
| CL-20A-SSB | — | 3/16 | 2 | 14 | 26 | — | — | — | 1.125 | 1/2 | 7/8 | 3/4 | 1/4 | 5/16 | #10 or M5 | 9/16 | 3/16 | 1/16 |
| CL-30A-SSB | — | 1/4 | 16 | 32 | 48 | — | — | — | 1.500 | 11/16 | 1-1/4 | 1 | 1/4 | 7/16 | 1/4 or M6 | 13/16 | 5/16 | 9/64 |

TYPE A – SPHERICAL RADIUS (STAINLESS STEEL)

| | | | | | | | | | | | | | | | | | | |
|--------------|----------------|------|----|----|----|-----|---|-----|-------|-------|--------|------|------|------|-----------|-------|------|------|
| CL-10A-SSB-S | CL-10A-SSB-2-S | 1/8 | 5 | 10 | 15 | 1.5 | 2 | 2.5 | .656 | 11/32 | 19/32 | 7/16 | 3/16 | 7/32 | #5 or M3 | 3/8 | 1/8 | 1/16 |
| CL-20A-SSB-S | — | 3/16 | 2 | 14 | 26 | — | — | — | 1.125 | 1/2 | 7/8 | 3/4 | 1/4 | 5/16 | #10 or M5 | 9/16 | 3/16 | 1/16 |
| CL-30A-SSB-S | — | 1/4 | 16 | 32 | 48 | — | — | — | 1.500 | 11/16 | 1-7/32 | 1 | 1/4 | 7/16 | 1/4 or M6 | 13/16 | 9/32 | 9/64 |

TYPE A – SPHERICAL RADIUS (DELRIN®)

| | | | | | | | | | | | | | | | | | | |
|-------------|---------------|------|----|----|----|-----|---|-----|-------|-------|--------|------|------|------|-----------|-------|------|------|
| CL-10A-SSBN | CL-10A-SSBN-2 | 1/8 | 5 | 10 | 15 | 1.5 | 2 | 2.5 | .656 | 11/32 | 19/32 | 7/16 | 3/16 | 7/32 | #5 or M3 | 3/8 | 1/8 | 1/16 |
| CL-20A-SSBN | — | 3/16 | 2 | 14 | 26 | — | — | — | 1.125 | 1/2 | 7/8 | 3/4 | 1/4 | 5/16 | #10 or M5 | 9/16 | 3/16 | 1/16 |
| CL-30A-SSBN | — | 1/4 | 16 | 32 | 48 | — | — | — | 1.500 | 11/16 | 1-7/32 | 1 | 1/4 | 7/16 | 1/4 or M6 | 13/16 | 9/32 | 9/64 |