

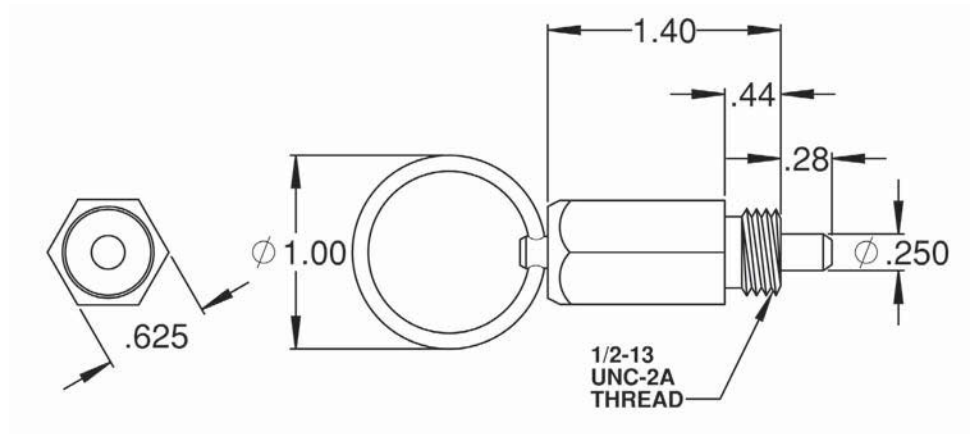
HAND-RETRACTABLE PLUNGERS

PLUNGER: MILD STEEL, CASE HARDENED, ZINC PLATED CLEAR CHROMATE
 BODY: MILD STEEL, ZINC PLATED CLEAR CHROMATE
 SPRING: SPRING STEEL



**Pull Ring
 (Extended-Locking Type)**

This unique, quick-release pull pin positively locks in extended position. The hand-retractable plunger tip automatically locks in the forward position unless manually disengaged by pulling the ring, rather than being held forward by spring force. Slight taper on plunger tip for easy alignment. **Patent no. 8,821,061.** Made in USA.



INCH

PART NO.	BODY THREAD	END FORCE	PLUNGER DIA	PLUNGER LENGTH	BODY LENGTH	RING DIA	BODY HEX
CL-8-EHRP	1/2-13	Locked	.250	.28	1.40	1.00	5/8