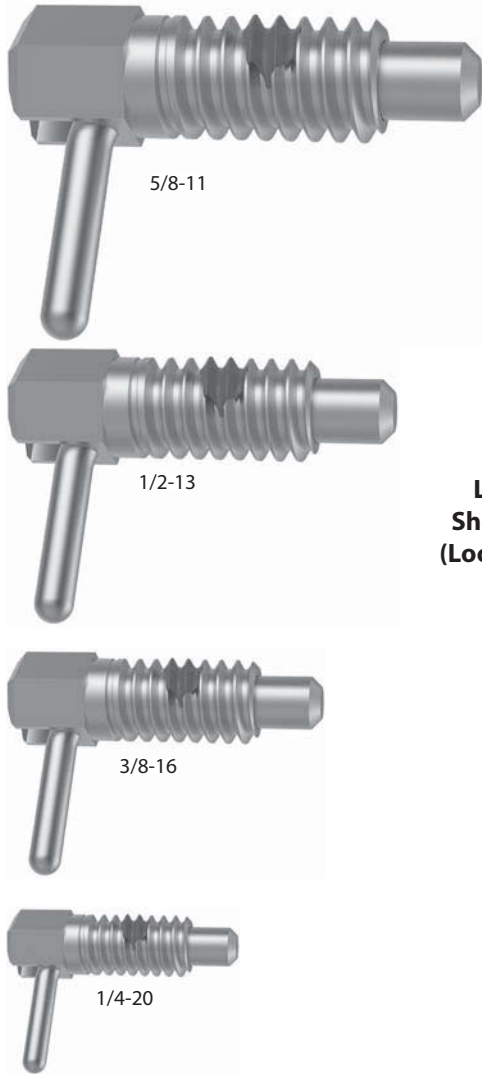
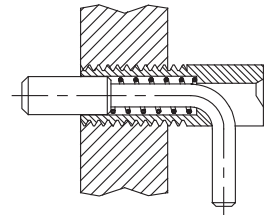


HAND-RETRACTABLE PLUNGERS

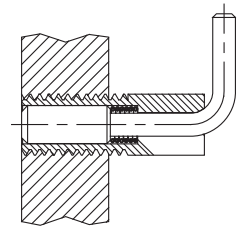
STEEL: 1215 BODY, 1215 PLUNGER CASE HARDENED, 17-7PH SPRING
 ALL STEEL COMPONENTS ZINC PLATED CLEAR CHROMATE
 STAINLESS STEEL: 300 SERIES



Spring-loaded plunger that locks in retracted position. Convenient L handle for quick retraction and locking.

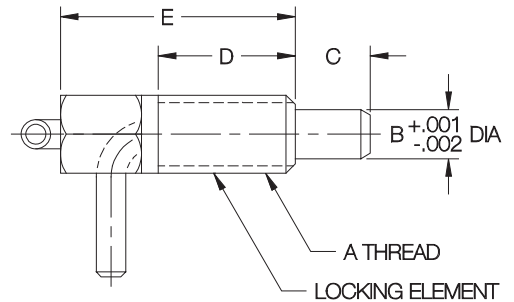
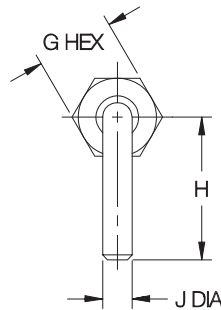


Extended Position



Retracted Position

**L Handle
 Short Stroke
 (Locking Type)**



L HANDLE, SHORT STROKE — STEEL (INCH)

PART NO.	A	END FORCE (LBS)		B DIA	C	D	E	G	H	J DIA
		INITIAL	FINAL							
CL-40-LHRP	1/4-20	.12	.5	.156	3/16	7/16	3/4	1/4	9/16	3/32
CL-60-LHRP	3/8-16	.25	1.25	.250	5/16	5/8	1-1/8	3/8	3/4	9/64
CL-80-LHRP	1/2-13	.5	2	.312	13/32	7/8	1-1/2	1/2	1	3/16
CL-100-LHRP	5/8-11	.75	2.5	.375	1/2	1-1/8	1-7/8	5/8	1-3/16	

L HANDLE, SHORT STROKE — STAINLESS STEEL (INCH)

PART NO.	A	END FORCE (LBS)		B DIA	C	D	E	G	H	J DIA
		INITIAL	FINAL							
CL-40-LHRP-S	1/4-20	.12	.5	.156	3/16	7/16	3/4	1/4	9/16	3/32
CL-60-LHRP-S	3/8-16	.25	1.25	.250	5/16	5/8	1-1/8	3/8	3/4	9/64
CL-80-LHRP-S	1/2-13	.5	2	.312	13/32	7/8	1-1/2	1/2	1	3/16
CL-100-LHRP-S	5/8-11	.75	2.5	.375	1/2	1-1/8	1-7/8	5/8	1-3/16	