

HAND-RETRACTABLE PLUNGERS

STEEL: 1215 BODY, 1215 PLUNGER CASE HARDENED, 17-7PH SPRING
 ALL STEEL COMPONENTS ZINC PLATED CLEAR CHROMATE
 STAINLESS STEEL: 300 SERIES



5/8-11



1/2-13



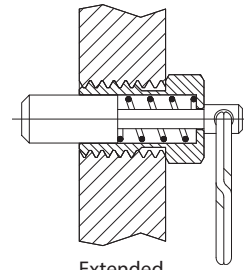
3/8-16



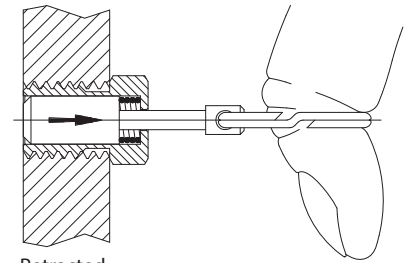
1/4-20

Extremely compact spring-loaded plunger that extends unless manually held in retracted position. Comfortable pull ring allows quick actuation, yet stays out of the way when not in use.

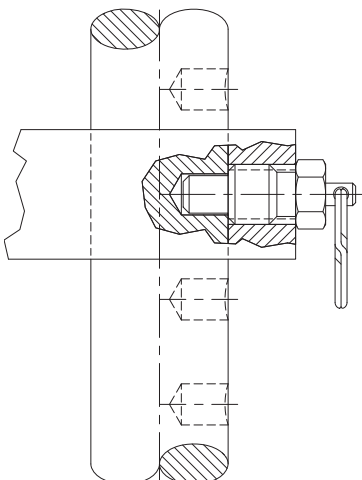
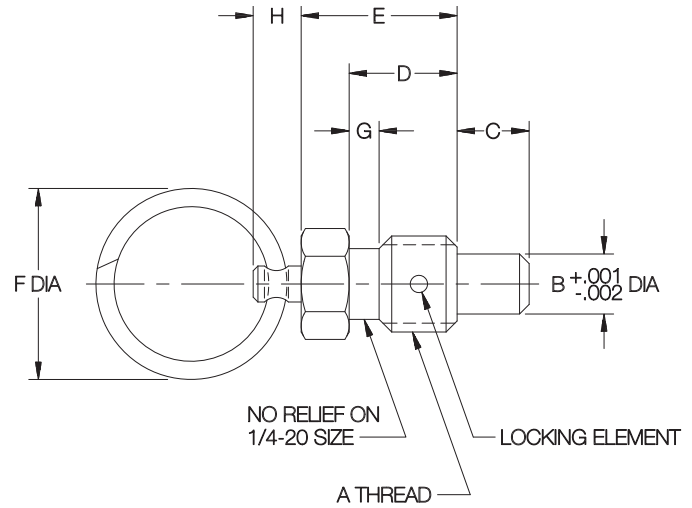
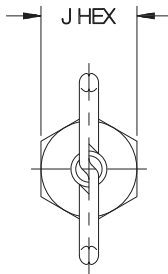
Pull Ring (Non-Locking Type)



Extended



Retracted



PULL RING, NON-LOCKING TYPE — STEEL (INCH)

PART NO.	A	END FORCE (LBS)		B DIA	C	D	E	F DIA	G	H	J
		INITIAL	FINAL								
CL-4-RHRP	1/4-20	.5	2	.156	3/16	9/32	7/16	3/4	1/32	5/32	1/4
CL-6-RHRP	3/8-16	.75	3	.250	9/32	7/16	5/8		1/8	3/16	3/8
CL-8-RHRP	1/2-13	1	4	.312	3/8	9/16	13/16	1	5/32	1/4	1/2
CL-10-RHRP	5/8-11	1.25	5	.375	7/16	11/16	1			5/16	5/8

PULL RING, NON-LOCKING TYPE — STAINLESS STEEL (INCH)

PART NO.	A	END FORCE (LBS)		B DIA	C	D	E	F DIA	G	H	J
		INITIAL	FINAL								
CL-4-RHRP-S	1/4-20	.5	2	.156	3/16	9/32	7/16	3/4	1/32	5/32	1/4
CL-6-RHRP-S	3/8-16	.75	3	.250	9/32	7/16	5/8		1/8	3/16	3/8
CL-8-RHRP-S	1/2-13	1	4	.312	3/8	9/16	13/16	1	5/32	1/4	1/2
CL-10-RHRP-S	5/8-11	1.25	5	.375	7/16	11/16	1			5/16	5/8