

# HAND-RETRACTABLE PLUNGERS

STEEL: 1215 BODY, 1215 PLUNGER CASE HARDENED, 17-7PH SPRING  
 ALL STEEL COMPONENTS ZINC PLATED CLEAR CHROMATE  
 STAINLESS STEEL: 300 SERIES

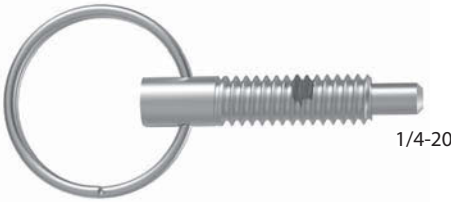


1/2-13

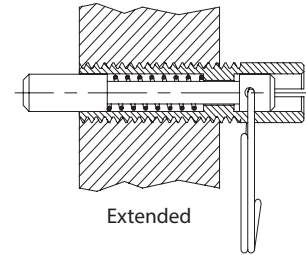
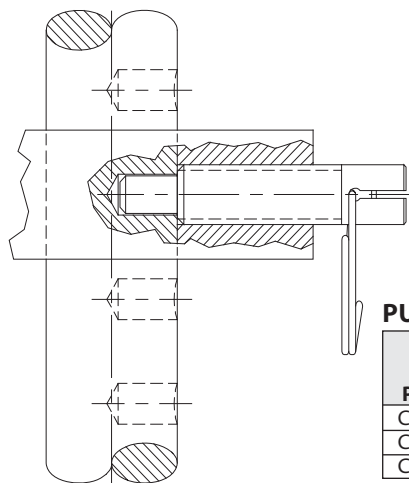


3/8-16

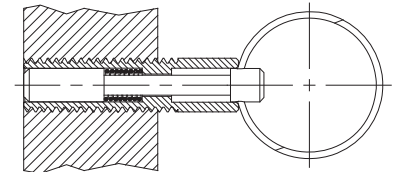
**Pull Ring  
(Locking Type)**



1/4-20

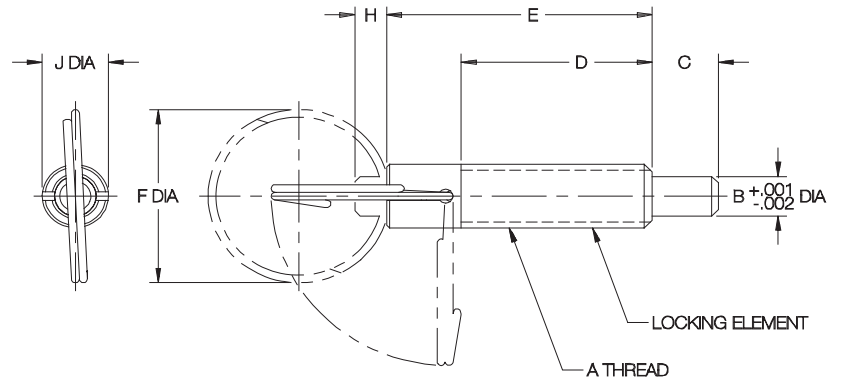


Extended



Retracted

Spring-loaded plunger that can be withdrawn completely into the body and locked in retracted position. Comfortable pull ring allows quick actuation, yet stays out of the way when not in use.



## PULL RING, LOCKING TYPE — STEEL (INCH)

PART NO.	A	END FORCE (LBS)		B DIA	C	D	E	F DIA	H	J DIA
		INITIAL	FINAL							
CL-4-PHRP	1/4-20	1	2.5	.156	1/4	13/16	1-1/8	1	7/64	1/4
CL-6-PHRP	3/8-16	2	4	.250	3/8	1-1/4	1-11/16	1-1/4	3/16	3/8
CL-8-PHRP	1/2-13	2.5	5	.312	1/2	1-7/16	2	1-3/8	1/4	1/2

## PULL RING, LOCKING TYPE — STAINLESS STEEL (INCH)

PART NO.	A	END FORCE (LBS)		B DIA	C	D	E	F DIA	H	J DIA
		INITIAL	FINAL							
CL-4-PHRP-S	1/4-20	1	2.5	.156	1/4	13/16	1-1/8	1	7/64	1/4
CL-6-PHRP-S	3/8-16	2	4	.250	3/8	1-1/4	1-11/16	1-1/4	3/16	3/8
CL-8-PHRP-S	1/2-13	2.5	5	.312	1/2	1-7/16	2	1-3/8	1/4	1/2