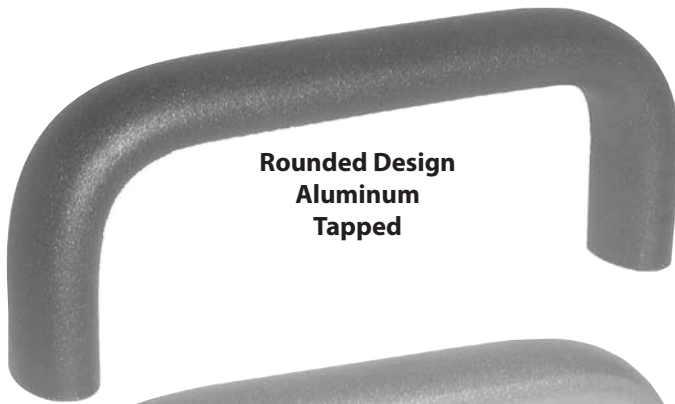


# PULL HANDLES

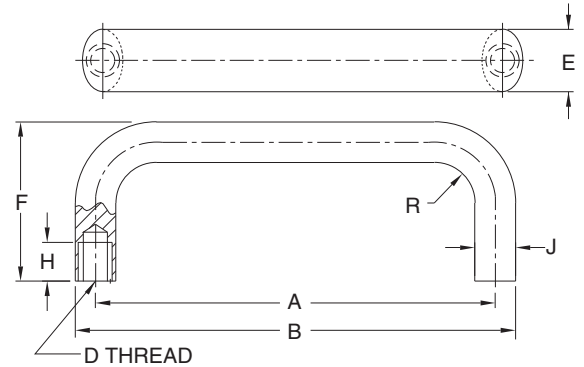
ALUMINUM, BLACK POWDER-COATED FINISH, OR 304 STAINLESS STEEL



**Rounded Design  
Aluminum  
Tapped**



**Rounded Design  
Stainless Steel  
Tapped**



## ALUMINUM — TAPPED (INCH)

PART NO.	A	B	D	E	F	H	J	R
CL-112-PHR-4	4.41	4.92	1/4-20	.79	1.93	.39	.51	.51
CL-128-PHR-4	5.04	5.55			2.01			
CL-160-PHR-5	6.30	6.97	5/16-18	1.02	2.24	.47	.67	.67
CL-192-PHR-5	7.56	8.23						

## ALUMINUM — TAPPED (METRIC)

PART NO.	A (mm)	B (mm)	D THREAD	THREAD PITCH (mm)	E (mm)	F (mm)	H (mm)	J (mm)	R (mm)
CLM-112-PHR-6	112	125	M6	1	20	49	10	13	13
CLM-128-PHR-6	128	141	M6	1	20	51	10	13	13
CLM-160-PHR-8	160	177	M8	1.25	26	57	12	17	17
CLM-192-PHR-8	192	209	M8	1.25	26	57	12	17	17

## STAINLESS STEEL — TAPPED (METRIC)

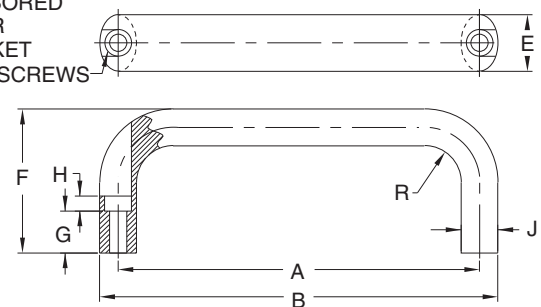
PART NO.	A (mm)	B (mm)	D THREAD	THREAD PITCH (mm)	E (mm)	F (mm)	H (mm)	J (mm)	R (mm)
CLM-112-PHR-6-S	112	125	M6	1	20	49	10	13	13
CLM-128-PHR-6-S	128	141	M6	1	20	51	10	13	13

Attractive, modern-design aluminum handle provides a comfortable grip with good ergonomic features. Durable black powder-coated pebble finish. Tapped holes for mounting. Choice of four handle sizes, available with either inch or metric threads. Also available in stainless steel, shot blasted with a satin finish (two sizes).



**Rounded Design  
Aluminum  
Counterbored**

COUNTERBORED HOLES FOR D DIA SOCKET HEAD CAP SCREWS



## ALUMINUM — COUNTERBORED

PART NO.	A	B	D	E	F	G	H	J	R
CL-116-PHRC-4	4.57	5.12	1/4 or M6	1.02	2.17	.43	.24	.67	.67
CL-132-PHRC-4	5.20	5.75			2.24				
CL-164-PHRC-4	6.46	7.01							
CL-196-PHRC-4	7.72	8.27							

Similar to the handles above, except counterbored for Socket-Head Cap Screws. Attractive, modern-design aluminum handle provides a comfortable grip with good ergonomic features. Durable black powder-coated pebble finish. Choice of four handle sizes.