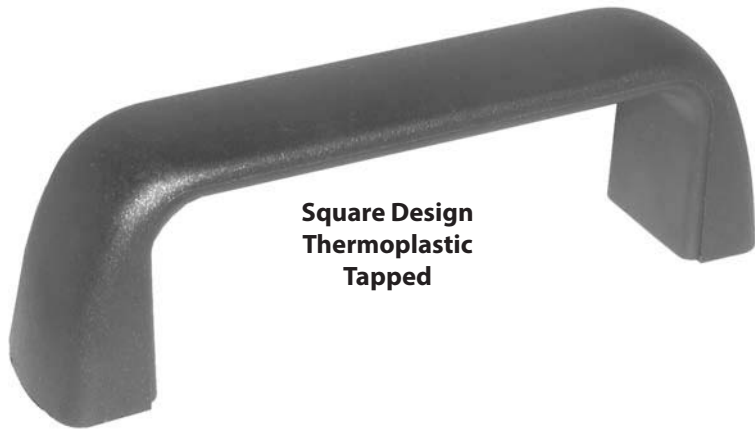
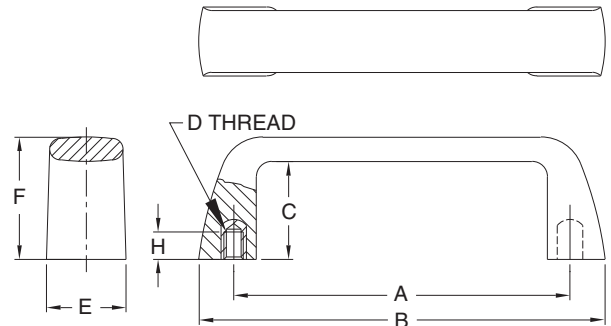


# PULL HANDLES

BLACK THERMOPLASTIC WITH BRASS INSERT



**Square Design  
Thermoplastic  
Tapped**



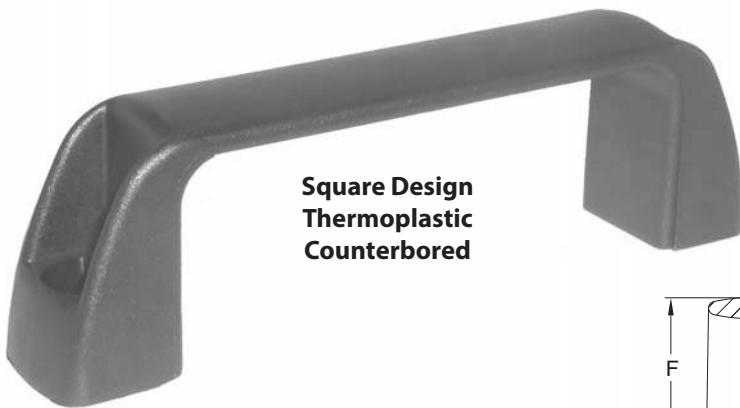
Attractive, modern-design handle that provides a comfortable grip with good ergonomic features. Excellent durability. Textured non-slip, non-glare finish. Molded-in brass insert provides superior thread strength. Black fiber-reinforced nylon thermoplastic (textured surface for secure gripping, excellent impact resistance, operating temperatures to 230°F). Choice of two handle sizes, available with either inch or metric threads.

## TAPPED (INCH)

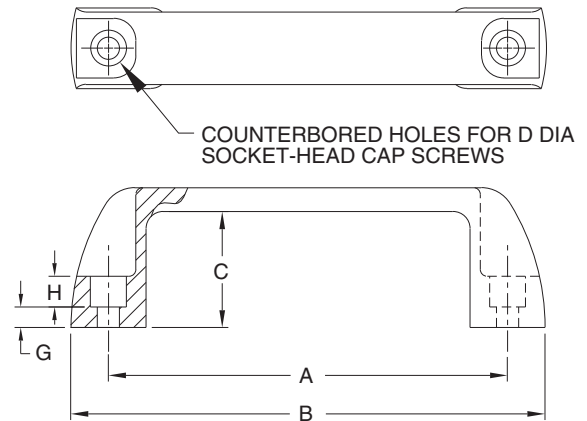
PART NO.	A	B	C	D	E	F	H
CL-105-PHS-4	4.13	4.76	1.14	1/4-20	1.02	1.46	.35
CL-117-PHS-5	4.61	5.24	1.26	5/16-18		1.57	

## TAPPED (METRIC)

PART NO.	A (mm)	B (mm)	C (mm)	D THREAD	THREAD PITCH (mm)	E (mm)	F (mm)	H (mm)
CLM-105-PHS-6	105	121	29	M6	1	26	37	9
CLM-117-PHS-8	117	133	32	M8	1.25	26	40	9



**Square Design  
Thermoplastic  
Counterbored**



Attractive, modern-design handle that provides a comfortable grip with good ergonomic features. Excellent durability. Textured non-slip, non-glare finish. Counterbored for Socket-Head Cap Screws. Choice of four handle sizes. Black fiber-reinforced nylon thermoplastic (textured surface for secure gripping, excellent impact resistance, operating temperatures to 230°F).

## COUNTERBORED

PART NO.	A	B	C	D DIA	E	F	G	H
CL-94-PHSC-4	3.68	4.41	1.18	1/4 or M6	.83	1.42	.24	.28
CL-117-PHSC-5	4.61	5.47	1.34	5/16 or M8	.96	1.61	.24	.35
CL-132-PHSC-5	5.20	6.14	1.46		1.06	1.77	.28	
CL-179-PHSC-5	7.05	8.03	1.65		1.10	1.97	.31	