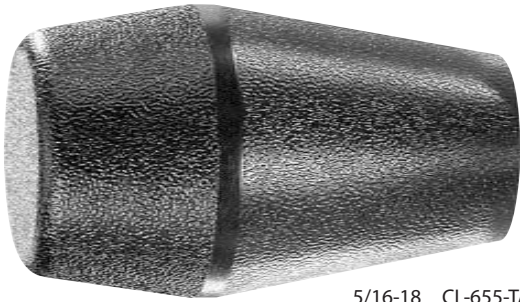


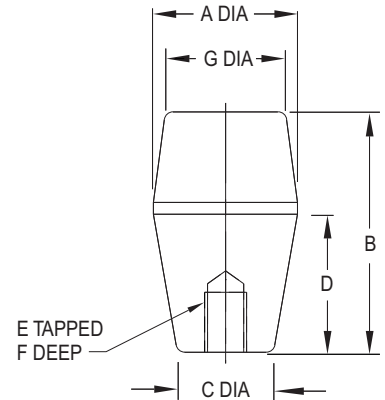
TAPERED KNOBS

BLACK CUSHION-GRIP PLASTIC WITH BRASS INSERT

Cushion Grip — Tapped



5/16-18 CL-655-TAPK
 3/8-16 CL-665-TAPK
 1/2-13 CL-685-TAPK



Attractive square design, ideal for lever handles. Made from Cushion Grip plastic, a unique material that feels soft to the touch, comfortable yet rugged. Textured non-slip, non-glare finish. Molded-in brass insert provides superior thread strength. Non-standard thread sizes, molded-in studs, or special colors are available in quantities of 500 and above.

CUSHION GRIP — TAPPED (INCH)

PART NO.	A DIA	B	C DIA	D DIA	E	F	G DIA
CL-655-TAPK	1-1/2	2-1/2	15/16	1-1/2	5/16-18	3/4	1-1/8
CL-665-TAPK					3/8-16		
CL-685-TAPK					1/2-13	5/8	

PALM-GRIP HANDLES

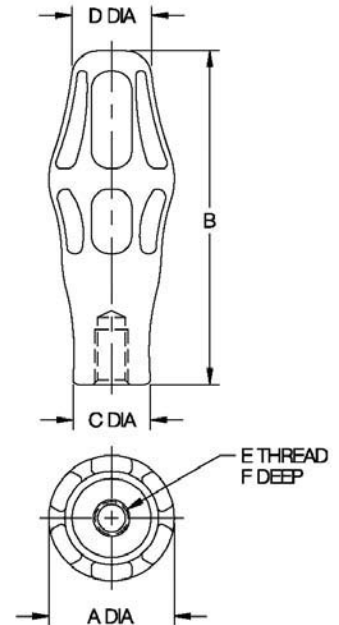
BLACK THERMOPLASTIC WITH BRASS INSERT

Thermoplastic — Tapped



1/4-20 CL-632-PGH
 5/16-18 CL-642-PGH
 3/8-16 CL-652-PGH

This unique, ergonomically designed handle provides an extremely comfortable grip. Greatly reduces stress on hands, wrists, and arms to help eliminate the risk of repetitive-motion disorders. Textured non-slip, non-glare finish. Molded-in brass insert provides superior thread strength. Non-standard thread sizes, molded-in studs, or special colors are available in quantities of 500 and above.



THERMOPLASTIC — TAPPED (INCH)

PART NO.	A DIA	B	C DIA	D DIA	E	F
CL-632-PGH	1-3/8	3-3/4	7/8	7/8	1/4-20	7/8
CL-642-PGH					5/16-18	5/8
CL-652-PGH					3/8-16	

