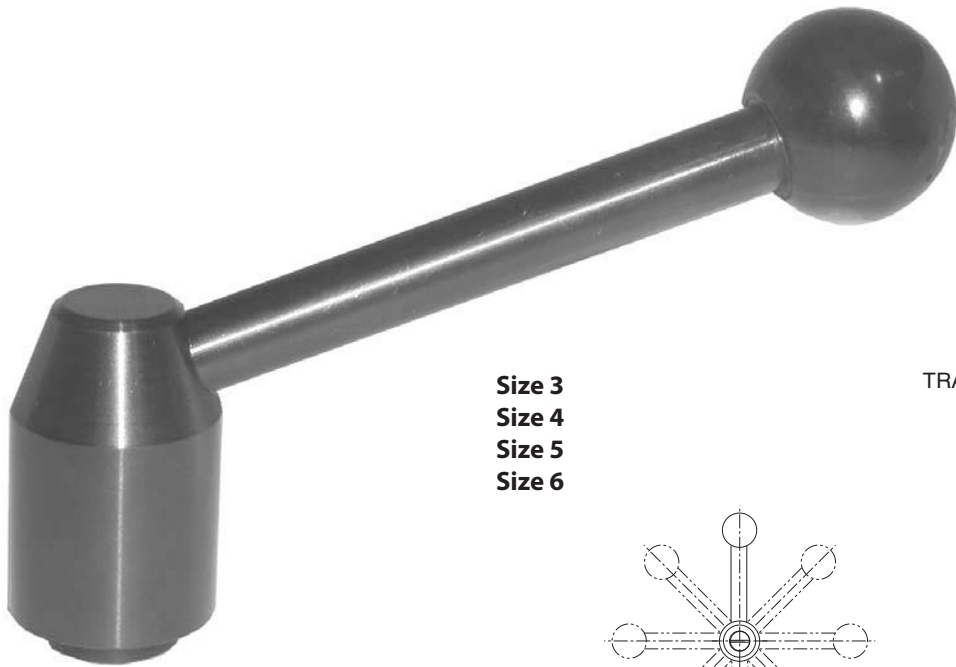


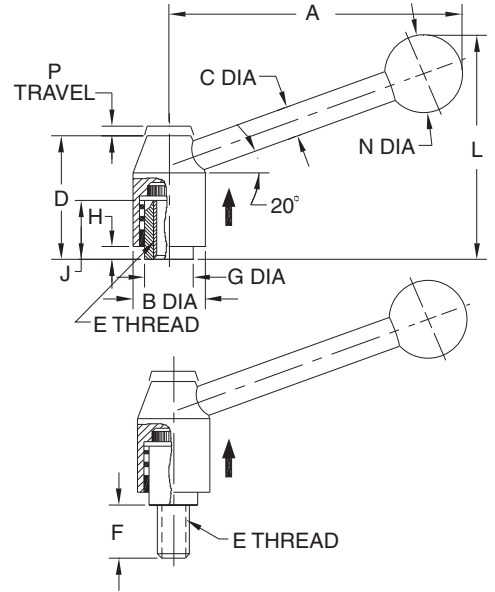
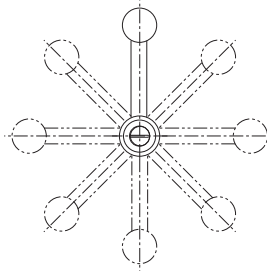
ADJUSTABLE LEVER HANDLES

LEVER ARM, HUB, INSERT, AND SPRING: MILD STEEL, BLACK OXIDE FINISH
BALL KNOB: BLACK PHENOLIC PLASTIC



Steel

Size 3
Size 4
Size 5
Size 6



Heavy-duty adjustable handle that can be reset to any angle. Ideal for clamping in a confined space, or when a specific handle position is desired. Rugged spring-loaded spline mechanism. Lift handle to disengage serrations, rotate to desired position, then release handle to automatically re-engage spline. Available with a tapped hole or an integral stud.

STEEL — TAPPED (INCH)

PART NO.	SIZE	A	B DIA	C DIA	D	E THREAD	F	G	H	J	L	N DIA	P
CL-6-AHL-3	3	3.94	.94	.39	1.57	3/8-16	—	.63	.10	.55	2.95	.98	.18
CL-8-AHL-4	4	4.53	1.10	.47	1.91	1/2-13	—	.75	.18	.67	3.54	1.18	
CL-10-AHL-5	5	5.12	1.30	.47	2.17	5/8-11	—	.91	.24	.91	3.94	1.26	.22
CL-12-AHL-6	6	5.71	1.57	.55	2.68	3/4-10	—	1.10	.24	1.42	4.33	1.38	

STEEL — STUD TYPE (INCH)

CL-613-AHL-3	3	3.94	.94	.39	1.57	3/8-16	1.26	.63	.10	—	2.95	.98	.18
CL-625-AHL-3							2.48						
CL-813-AHL-4	4	4.53	1.10	.47	1.91	1/2-13	1.26	.75	.18	—	3.54	1.18	
CL-825-AHL-4							2.48						
CL-1025-AHL-5	5	5.12	1.30	.47	2.17	5/8-11		.91	.24	—	3.94	1.26	.22