

# LEVER HANDLES

300-SERIES STAINLESS STEEL



**Single  
Lever Handle**

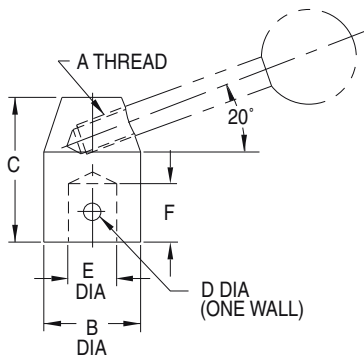


**Triple  
Lever Handle**

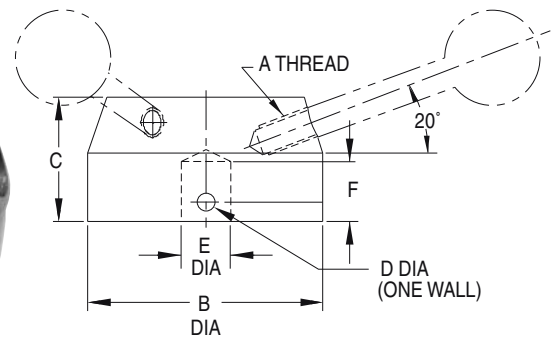
Fast, efficient levers that provide high torque. These attractive Lever Handles are made of 300-series stainless steel, polished to a beautiful finish. Hubs are available in single-handle or triple-handle versions, each in two sizes. Lever Handles can be totally customized by choosing Lever Bar length and Knob type.



**Single Hub**



**Triple Hub**



## SINGLE LEVER HANDLE — ORDER HUB, LEVER BAR, AND KNOB SEPARATELY (INCH)

PART NO. HUB ONLY	A	B DIA	C	D DIA	E	F	PART NO. LEVER BAR	PART NO. KNOB
CL-116-LHH-S	5/16-18	1	1-1/2	1/8	3/8 DIA REAMED	5/8	INFO+: SEE PAGE 123	INFO+: SEE PAGES 125-131
CL-1160-LHH-S				—	3/8-16 TAPPED	9/16		
CL-128-LHH-S	3/8-16	1-1/4	1-7/8	5/32	1/2 DIA REAMED	3/4		
CL-1280-LHH-S				—	1/2-13 TAPPED	11/16		

## TRIPLE LEVER HANDLE — ORDER HUB, LEVER BARS, AND KNOBS SEPARATELY (INCH)

CL-316-LHH-S	5/16-18	2	1	3/16	3/8 DIA REAMED	3/4	INFO+: SEE PAGE 123	INFO+: SEE PAGES 125-131
CL-328-LHH-S	3/8-16	2-3/8	1-3/16	3/16	1/2 DIA REAMED	7/8		