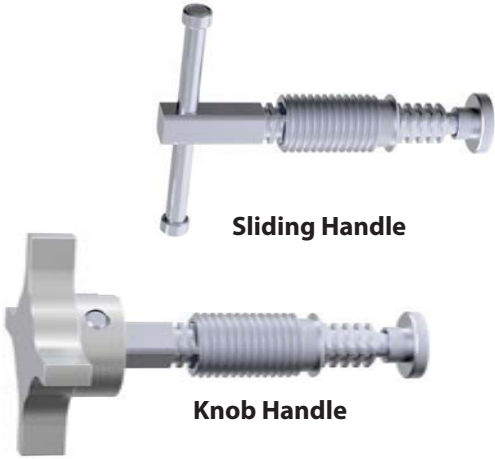


BAR-LOK QUICK-ACTING SCREW CLAMPS

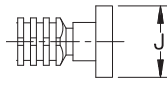
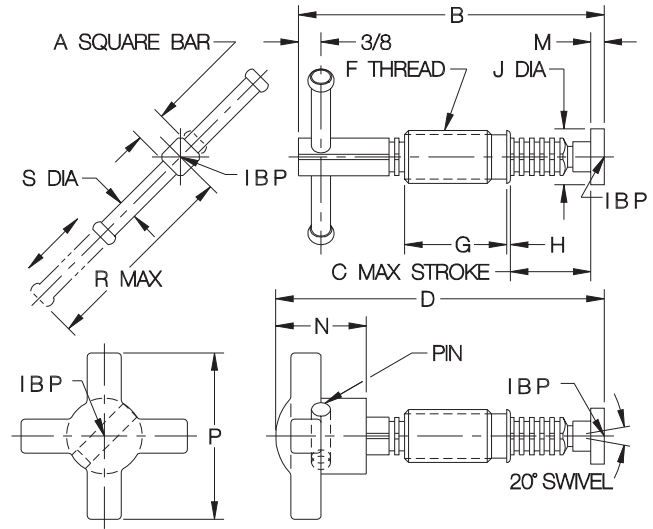
1215 STEEL, CASE HARDENED, ZINC PLATED YELLOW CHROMATE
 KNOB HANDLE: 319 ALUMINUM ALLOY



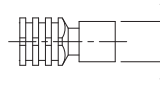
Sliding Handle

Knob Handle

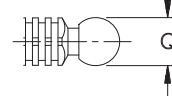
Definitely the best quick-acting screw clamp available anywhere! This patented sliding-bar design works smoothly and positively – just slide the bar forward, then twist to apply force. As strong as a standard screw clamp, but much faster. Choose either a comfortable knob handle or a sliding handle for extra leverage. Available in 3/8", 1/2", and 5/8" bar sizes, each in a choice of several lengths and foot styles. Ball and foot are threaded to allow easy installation and removal, a lefthand thread to positively prevent backout when turning the screw counterclockwise. Once the threads clear during installation, the foot rotates and pivots freely (20° included angle).



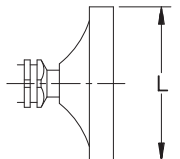
With standard foot:
 CL-14-BLK
 CL-14-BLKN (Delrin®)



With small foot, add A:
 CL-14-BLKA
 CL-14-BLKAN (Delrin®)



With ball foot, add -D:
 CL-14-BLKD



With large foot, add E:
 CL-14-BLKE

SLIDING HANDLE (INCH)

PART NO.	A	B	C	D	F THREAD	G	H	J DIA	K DIA	L DIA	M	N	P	Q	R	S DIA	OLD BAR-LOK NUMBER
CL-14-BLT	3/8	4	1-9/16	---	3/4-10	1-3/8	1/8	.750	.390	1.50	.187	---	---	.500	2-15/16	1/4	S-204-T
CL-15-BLT		5	2-9/16														S-205-T
CL-16-BLT		6	3-9/16														S-206-T
CL-25-BLT	1/2	5	2-3/16	---	7/8-9	1-11/16	1/16	.930	.500	2.00	.218	---	---	.625	3-5/16	5/16	M-205-T
CL-26-BLT		6	3-3/16														M-206-T
CL-28-BLT		8	5-3/16														M-208-T
CL-210-BLT		10	7-3/16														M-210-T
CL-212-BLT	12	9-3/16	M-212-T														
CL-35-BLT	5/8	5	2-3/16	---	1-1/8-7	1-11/16	1/16	.930	.500	2.00	.218	---	---	.625	3-1/4	5/16	H-205-T
CL-36-BLT		6	3-3/16														H-206-T
CL-38-BLT		8	5-3/16														H-208-T
CL-310-BLT		10	7-3/16														H-210-T
CL-312-BLT		12	9-3/16														H-212-T

KNOB HANDLE (INCH)

CL-14-BLK	3/8	---	1-5/16	4-11/16	3/4-10	1-3/8	1/8	3/4	.390	1.50	1-3/8	1-7/16	2-1/8	.500	---	---	---
CL-15-BLK			2-5/16	5-11/16													
CL-16-BLK			3-5/16	6-11/16													
CL-25-BLK	1/2	---	1-5/8	5-3/8	7/8-9	1-11/16	1/16	15/16	.500	2.00	.218	1-1/2	2-3/4	.625	---	---	---
CL-26-BLK			2-5/8	6-3/8													
CL-28-BLK			4-5/8	8-3/8													
CL-210-BLK			6-5/8	10-3/8													
CL-212-BLK	8-5/8	12-3/8															
CL-35-BLK	5/8	---	1-5/8	5-3/8	1-1/8-7	1-11/16	1/16	15/16	.500	2.00	.218	1-1/2	2-3/4	.625	---	---	---
CL-36-BLK			2-5/8	6-3/8													
CL-38-BLK			4-5/8	8-3/8													
CL-310-BLK			6-5/8	10-3/8													
CL-312-BLK			8-5/8	12-3/8													