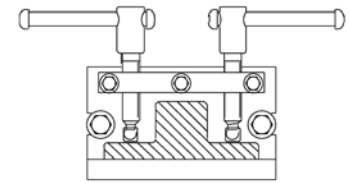
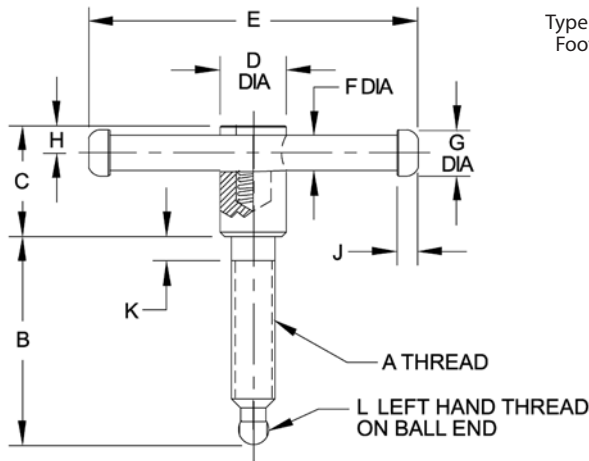


# BAR-HANDLE SCREW CLAMPS

STEEL: 1215 STEEL BODY, CASE HARDENED, BLACK OXIDE FINISH. 1215 STEEL HANDLE, BLACK OXIDE FINISH.  
300-SERIES STAINLESS STEEL SPRING. STAINLESS: 300-SERIES STAINLESS STEEL.



Screw clamp with a sliding bar handle for excellent leverage. The bar can be moved to any position, for convenient tightening, and is held in place by light spring force. These screw clamps accept all standard feet for swivel screws (**INFO+**: see page 115 for foot dimensions and specifications). Type A and B feet are also available in Delrin®, by adding “N” to the part number (examples: CL-620-BHSAN, CL-620-BHSA-SN). Available in screw sizes from 5/16-18 to 5/8-11 (M8 to M16 in metric), each in several lengths.



Sliding bar can be moved to any position for convenient tightening, such as when two clamps are close to each other.

## GENERAL DIMENSIONS

A THREAD SIZE	C	D DIA	E	F DIA	G DIA	H	J	K	L
5/16-18 or M8	1-1/8	5/8	2-1/2	1/4	3/8	1/4	1/4	5/16	#12-28 LH
3/8-16 or M10	1-1/4	3/4	3-1/8	5/16	7/16	9/32	9/32	3/8	1/4-28 LH
1/2-13 or M12	1-3/8	13/16	3-15/16	3/8	1/2	11/32	11/32	3/8	5/16-24 LH
5/8-11 or M16	1-5/8	1	4-3/4	1/2	5/8	13/32	13/32	3/8	7/16-20 LH

## STEEL (INCH)

A THREAD SIZE	B LENGTH	PART NO. WITHOUT FOOT	PART NO. WITH TYPE A SMALL FOOT	PART NO. WITH TYPE B LARGE FOOT	PART NO. WITH TYPE C VEE FOOT	PART NO. WITH TYPE D BALL FOOT	PART NO. WITH TYPE E EXTRA-LARGE FOOT
5/16-18	2	CL-520-BHS	CL-520-BHSA	CL-520-BHSB	CL-520-BHSC	CL-520-BHSD	—
	3	CL-530-BHS	CL-530-BHSA	CL-530-BHSB	CL-530-BHSC	CL-530-BHSD	—
3/8-16	2	CL-620-BHS	CL-620-BHSA	CL-620-BHSB	CL-620-BHSC	CL-620-BHSD	—
	3	CL-630-BHS	CL-630-BHSA	CL-630-BHSB	CL-630-BHSC	CL-630-BHSD	—
	4	CL-640-BHS	CL-640-BHSA	CL-640-BHSB	CL-640-BHSC	CL-640-BHSD	—
1/2-13	2	CL-820-BHS	CL-820-BHSA	CL-820-BHSB	CL-820-BHSC	CL-820-BHSD	CL-820-BHSE
	3	CL-830-BHS	CL-830-BHSA	CL-830-BHSB	CL-830-BHSC	CL-830-BHSD	CL-830-BHSE
	4	CL-840-BHS	CL-840-BHSA	CL-840-BHSB	CL-840-BHSC	CL-840-BHSD	CL-840-BHSE
5/8-11	3	CL-1030-BHS	CL-1030-BHSA	CL-1030-BHSB	CL-1030-BHSC	CL-1030-BHSD	CL-1030-BHSE
	4	CL-1040-BHS	CL-1040-BHSA	CL-1040-BHSB	CL-1040-BHSC	CL-1040-BHSD	CL-1040-BHSE

CONTINUED ON NEXT PAGE