

T-HANDLE KNOBS

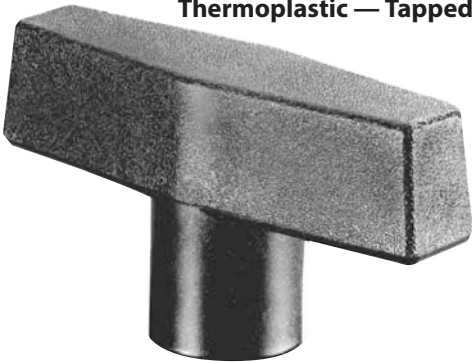
BLACK PHENOLIC PLASTIC OR THERMOPLASTIC
WITH BRASS INSERT

Phenolic — Tapped



1/4-20	CL-632-TK
5/16-18	CL-642-TK
3/8-16	CL-652-TK
3/8-24	CL-654-TK
M8	CLM-642-TK
M10	CLM-652-TK

Thermoplastic — Tapped



1/4-20	CL-6320-TK
5/16-18	CL-6420-TK
3/8-16	CL-6520-TK
M8	CLM-6420-TK
M10	CLM-6520-TK

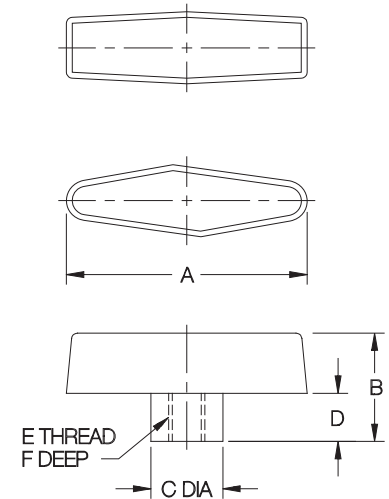


1/4-20	CL-432-TK
5/16-18	CL-442-TK
3/8-16	CL-452-TK
M6	CLM-432-TK
M8	CLM-442-TK



1/4-20	CL-232-TK
M6	CLM-232-TK

T-Handle Knobs provide maximum leverage for heavy-duty clamping. Ideal for fastening fold-down handles and stands. Available in phenolic plastic (one knob size) for a shiny polished finish, or in thermoplastic (three knob sizes) for a textured non-slip, non-glare finish. Molded-in brass insert provides superior thread strength. Non-standard thread sizes, reamed holes, molded-in studs, or special colors (thermoplastic only) are available in quantities of 500 and above.



PHENOLIC — TAPPED (INCH & METRIC)

PART NO.	A	B	C DIA	D	E	F
CL-632-TK	2-1/2	1-1/8	3/4	1/2	1/4-20	5/8
CL-642-TK					5/16-18	
CL-652-TK					3/8-16	1/2
CL-654-TK					3/8-24	
CLM-642-TK					M8	5/8
CLM-652-TK					M10	1/2

THERMOPLASTIC — TAPPED (INCH & METRIC)

PART NO.	A	B	C DIA	D	E	F
CL-232-TK	1-1/16	7/8	1/2	3/8	1/4-20	1/2
CLM-232-TK					M6	3/8
CL-432-TK	2	1-1/8	3/4	1/2	1/4-20	1/2
CL-442-TK					5/16-18	5/8
CL-452-TK					3/8-16	1/2
CLM-432-TK					M6	3/8
CLM-442-TK					M8	
CL-6320-TK					2-1/2	1-1/4
CL-6420-TK	5/16-18					
CL-6520-TK	3/8-16	1/2				
CLM-6420-TK	M8	5/8				
CLM-6520-TK	M10	1/2				