

HAND KNOBS – STAINLESS STEEL

300-SERIES STAINLESS STEEL



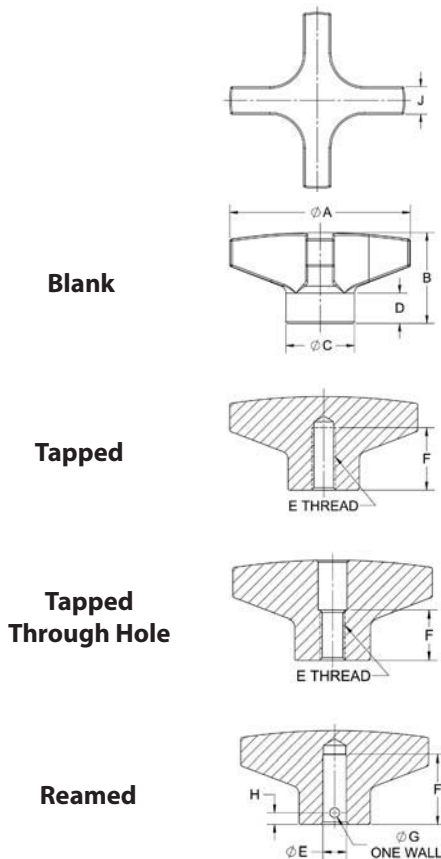
3/8-16
1/2-13
5/8-11
M10
M12
M16



1/4-20
5/16-18
3/8-16
M6
M8
M10

3

High-quality, stainless steel knob with a beautiful polished finish. Four-prong design provides a firm grip for applications requiring quick tightening and high torque. Choose from two knob sizes, each available blank, tapped, tapped through, or reamed.



INCH & METRIC

PART NO.	A DIA	B	C DIA	D	HOLE TYPE	E	F	G	H	J
CL-200-HK-S	2	1.02	.78	.34	BLANK	—	—	—	—	.33
CL-240-HK-S					TAPPED	1/4-20	11/16	—	—	
CL-250-HK-S						5/16-18				
CL-260-HK-S						3/8-16				
CLM-260-HK-S						M6				
CLM-280-HK-S						M8				
CLM-2100-HK-S					M10					
CL-241-HK-S					TAPPED THROUGH	1/4-20	1/2	—	—	
CL-251-HK-S						5/16-18	5/8			
CL-261-HK-S						3/8-16	3/4			
CLM-261-HK-S						M6	1/2			
CLM-281-HK-S						M8	5/8			
CLM-2101-HK-S	M10	3/4								
CL-255-HK-S	REAMED	5/16	11/16	1/8	3/16					
CL-265-HK-S		3/8		5/32						
CL-600-HK-S	3	1.50	1.14	.50	BLANK	—	—	—	—	.47
CL-660-HK-S					TAPPED	3/8-16	1	—	—	
CL-680-HK-S						1/2-13				
CL-6100-HK-S						5/8-11				
CLM-6100-HK-S						M10				
CLM-6120-HK-S						M12				
CLM-6160-HK-S					M16					
CL-661-HK-S					TAPPED THROUGH	3/8-16	3/4	—	—	
CL-681-HK-S						1/2-13	1			
CL-6101-HK-S						5/8-11	1-1/4			
CLM-6101-HK-S						M10	1			
CLM-6121-HK-S						M12				
CLM-6161-HK-S						M16				
CL-665-HK-S					REAMED	3/8	1	5/32	1/4	
CL-685-HK-S						1/2		3/16		