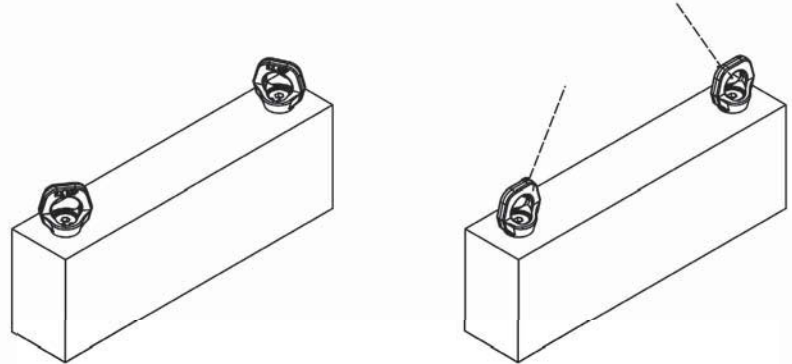


HOIST EYE 360°

BODY: HIGH-STRENGTH FORGED ALLOY STEEL, HIGH-VISIBILITY POWDER-COAT FINISH
 BOLT: HIGH-STRENGTH ALLOY STEEL, CORROSION-RESISTANT PLATING
 RETAINING RING: SPRING STEEL

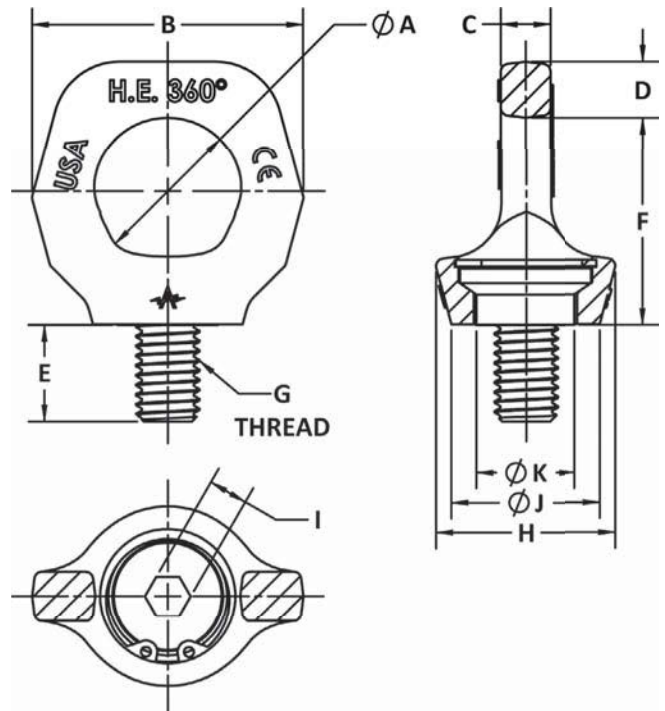


These unique lifting-eye assemblies can be rotated freely after installation, to align with the pulling direction.

New item!

Hoist Eye 360° is a forged lifting eye that can be rotated 360° after installation, to align with the pulling direction. This compact assembly features a specially designed shoulder bolt, which rotates freely in the precisely machined lifting-eye body and is held captive by a retaining ring. Unlike conventional lifting eyes, Hoist Eye 360° can be used at full rated load capacity when pulling at any angle 0 to 90° from the bolt axis. Available with thread sizes from 3/8-16 to 1"-8. Complies with ASME B30.26 specifications. 200% proof load tested and individually serialized. Safety factor = 5:1. Made in USA.

Please note, Hoist Eye 360° is suitable only for applications where all lifting-eye rotation takes place before lifting begins, with no swivel action occurring while under load. For applications that require swiveling under load, use a Swivel Hoist Ring instead. For permanent installation, tighten by hex wrench to the installation torque listed in the tables below.



INCH

| PART NO. | LOAD RATING (lbs) | G THREAD | A DIA | B | C | D | E | F | H | I HEX | J DIA | K DIA | INSTALLATION TORQUE (ft-lbs) |
|-------------|-------------------|----------|-------|------|-----|-----|------|------|------|-------|-------|-------|------------------------------|
| CL-71120-HE | 880 | 3/8-16 | .96 | 1.81 | .36 | .37 | .61 | 1.40 | 1.19 | 7/32 | 1.00 | .59 | 12 |
| CL-71146-HE | 1650 | 1/2-13 | 1.16 | 2.14 | .39 | .44 | .76 | 1.64 | 1.42 | 5/16 | 1.18 | .79 | 28 |
| CL-71160-HE | 3000 | 5/8-11 | 1.30 | 2.55 | .55 | .50 | .94 | 1.94 | 1.69 | 3/8 | 1.38 | .94 | 47 |
| CL-71174-HE | 4500 | 3/4-10 | 1.50 | 2.95 | .63 | .59 | 1.18 | 2.30 | 2.00 | 1/2 | 1.65 | 1.14 | 84 |
| CL-71198-HE | 7050 | 1"-8 | 1.84 | 3.53 | .75 | .72 | 1.5 | 2.82 | 2.35 | 5/8 | 1.97 | 1.34 | 230 |

METRIC

| PART NO. | LOAD RATING (kg) | G THREAD | THREAD PITCH | A DIA (mm) | B (mm) | C (mm) | D (mm) | E (mm) | F (mm) | H (mm) | I HEX (mm) | J DIA (mm) | K DIA (mm) | INSTALLATION TORQUE (Nm) |
|--------------|------------------|----------|--------------|------------|--------|--------|--------|--------|--------|--------|------------|------------|------------|--------------------------|
| CLM-71420-HE | 400 | M10 | 1.5 | 24 | 46 | 9 | 9 | 15 | 36 | 30 | 6 | 25.4 | 15 | 16 |
| CLM-71446-HE | 750 | M12 | 1.75 | 29 | 54 | 10 | 11 | 19 | 42 | 36 | 8 | 30 | 20 | 38 |
| CLM-71460-HE | 1400 | M16 | 2.0 | 33 | 65 | 14 | 13 | 24 | 49 | 43 | 10 | 36 | 23.7 | 64 |
| CLM-71474-HE | 2000 | M20 | 2.5 | 38 | 75 | 16 | 15 | 30 | 58 | 51 | 12 | 42 | 28 | 114 |