

# STAINLESS SWIVEL HOIST RINGS

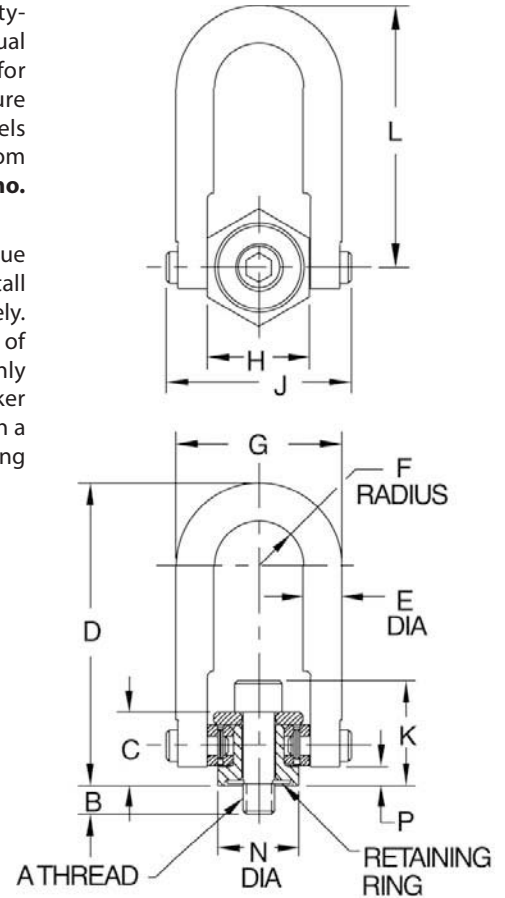
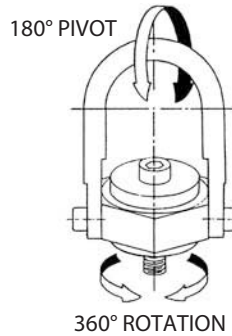
300-SERIES STAINLESS STEEL, PASSIVATED, 100% LIQUID-PENETRANT INSPECTED



Stainless Steel

Stainless steel version of our original safety-engineered hoist ring, with a load rating equal to 50% of the alloy steel version. Useful for corrosive, cryogenic, or elevated-temperature environments. Pivots 180 degrees and swivels 360 degrees simultaneously to allow lifting from any direction. Safety factor = 5:1. **Patent no. 3,297,293 and 4,705,422.**

Fasten hoist rings using the installation torque specified in the dimension table. Always install so that the hoist ring can pivot and swivel freely. Some hoist rings are available with a choice of bolt lengths. Use the shortest bolt length only for steel plates, the other lengths for weaker materials and for through-hole mounting with a washer and nut. **INFO+:** See general Hoist Ring Safety Precautions on page 71.



## STANDARD RING — STAINLESS STEEL (INCH)

PART NO.	LOAD RATING (LBS)	A	B	C	D	E DIA	F	G	H	J	K	L	N DIA	P	INSTALLTION TORQUE (FT-LBS)
CL-275-SHR-1-S	275	1/4-20	.54	.71	2.67	3/8	.43	1.61	1.00	1.84	1.03	2.31	.75	.17	2.5
CL-400-SHR-2-S	400	5/16-18	.54	.71	2.67	3/8	.43	1.61	1.00	1.84	.96	2.31	.75	.17	3.5
CL-500-SHR-1-S	500	3/8-16	.54	.71	2.67	3/8	.43	1.61	1.00	1.84	1.09	2.31	.75	.17	6
CL-29301-SHR-S	1250	1/2-13	1.07	.93	3.77	1/2	.70	2.40	1.49	2.58	1.43	3.31	1.25	.20	14
CL-1250-SHR-1-S	1250	1/2-13	.78	1.22	4.78	3/4	.88	3.25	1.99	3.52	1.72	4.25	1.50	.16	14
CL-1250-SHR-2-S			1.03												
CL-1250-SHR-3-S			1.28												
CL-2000-SHR-1-S	2000	5/8-11	.78	1.22	4.78	3/4	.88	3.25	1.99	3.52	1.85	4.25	1.50	.16	30
CL-2500-SHR-1-S	2500	3/4-10	1.03	1.22	4.78	3/4	.88	3.25	1.99	3.52	1.97	4.25	1.50	.16	50
CL-29102-SHR-S	3500	3/4-10	1.04	1.71	6.52	1	1.40	4.80	3.00	5.14	2.46	5.78	2.37	.24	50
CL-29103-SHR-S			1.54												
CL-29101-SHR-S			1.04												
CL-29105-SHR-S	5000	1"-8	1.29	1.71	6.52	1	1.40	4.80	3.00	5.14	2.71	5.78	2.37	.24	115
CL-29106-SHR-S			1.54												
CL-29107-SHR-S			2.29												
CL-29401-SHR-S	7500	1-1/4"-7	1.89	2.11	8.73	1-1/4	1.75	6.00	3.76	6.50	3.36	7.75	3.20	.35	235
CL-29202-SHR-S	12000	1-1/2"-6	2.70	2.81	12.47	1-3/4	2.25	8.00	4.87	8.55	4.31	11.12	4.20	.47	400
CL-29200-SHR-S	15000	2"-4-1/2	2.96	2.81	12.47	1-3/4	2.25	8.00	4.87	8.55	5.31	11.12	4.20	.47	550
CL-29503-SHR-S	25000	2-1/2"-4	4.00	4.09	16.87	2-1/4	3.00	10.50	6.52	11.67	6.59	14.50	5.75	1.12	1050
CL-29501-SHR-S		2-1/2"-8													
CL-29600-SHR-S	37500	3"-4	5.20	5.27	19.50	2-3/4	3.75	13.00	8.10	14.15	8.27	17.00	7.25	1.00	2150
CL-29701-SHR-S	50000	3-1/2"-4	7.00	6.06	22.09	3-1/4	4.00	14.50	8.60	15.90	9.56	19.25	7.75	1.09	3300

CONTINUED ON NEXT PAGE