

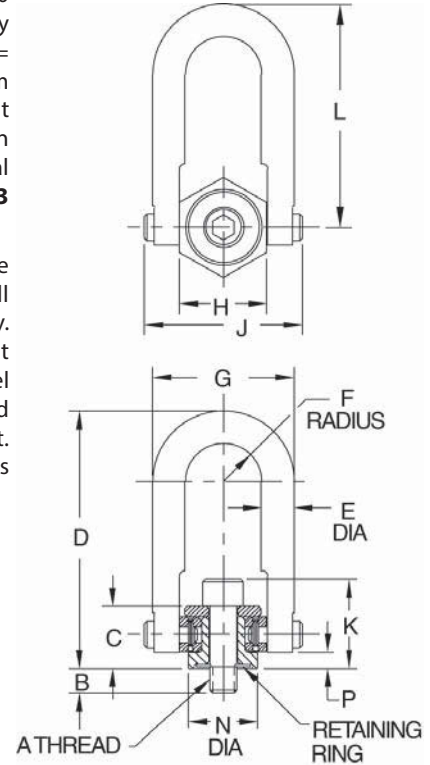
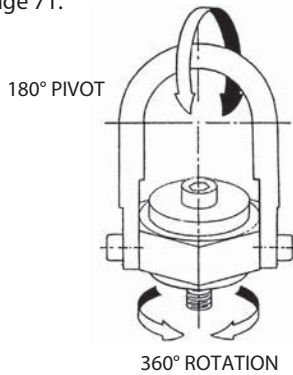
SWIVEL HOIST RINGS

ALLOY STEEL, HEAT TREATED, BLACK OXIDE FINISH, 100% MAGNAFLUX INSPECTED



The original safety-engineered hoist ring. Pivots 180 degrees and swivels 360 degrees simultaneously to allow lifting from any direction. Safety factor = 5:1. Black oxide finish is standard, with cadmium plating available as a special (add -C to part number). Swivel Hoist Rings are also available in 300-series stainless steel, with a load rating equal to 50% of the steel version. **Patent no. 3,297,293 and 4,705,422.**

Fasten hoist rings using the installation torque specified in the dimension table. Always install so that the hoist ring can pivot and swivel freely. Some hoist rings are available with a choice of bolt lengths. Use the shortest bolt length only for steel plates, the other lengths for weaker materials and for through-hole mounting with a washer and nut. **INFO+:** See general Hoist Ring Safety Precautions on page 71.



STANDARD RING (INCH)

PART NO.	LOAD RATING (LBS)	A	B	C	D	E DIA	F	G	H	J	K	L	N DIA	P	INSTALLATION TORQUE (FT-LBS)	REPLACEMENT BOLT (WITH RETAINING RING)
CL-550-SHR-2	550	1/4-20	.54	.71	2.67	3/8	.43	1.61	1.00	1.84	.96	2.31	.75	.17	5	—
CL-800-SHR-1	800	5/16-18	.29	.72	2.63	3/8	.44	1.62	1.00	1.82	1.03	2.35	.75	.17	7	CL-800-SHRB-1
CL-800-SHR-2			.54													CL-800-SHRB-2
CL-1000-SHR-1	1000	3/8-16	.54	.72	2.63	3/8	.44	1.62	1.00	1.82	1.09	2.35	.75	.17	12	CL-1000-SHRB-1
CL-2500-SHR-1			.77													CL-2500-SHRB-1
CL-2500-SHR-2	2500	1/2-13	1.02	1.23	4.77	3/4	.88	3.25	2.00	3.52	1.73	4.24	1.50	.16	28	CL-2500-SHRB-2
CL-2500-SHR-3			1.27													CL-2500-SHRB-3
CL-4000-SHR-1	4000	5/8-11	.77	1.23	4.77	3/4	.88	3.25	2.00	3.52	1.86	4.24	1.50	.16	60	CL-4000-SHRB-1
CL-4000-SHR-2			1.02													CL-4000-SHRB-2
CL-4000-SHR-3			1.27													CL-4000-SHRB-3
CL-5000-SHR-1	5000	3/4-10	1.02	1.23	4.77	3/4	.88	3.25	2.00	3.52	1.98	4.24	1.50	.16	100	CL-5000-SHRB-1
CL-5000-SHR-2			1.52													CL-5000-SHRB-2
CL-7000-SHR-1	7000	3/4-10	1.03	1.72	6.55	1-1/16	1.40	4.94	3.00	5.06	2.47	5.80	2.37	.24	100	CL-7000-SHRB-1
CL-7000-SHR-2			1.53													CL-7000-SHRB-2
CL-8000-SHR-1	8000	7/8-9	1.03	1.72	6.55	1-1/16	1.40	4.94	3.00	5.06	2.60	5.80	2.37	.24	160	CL-8000-SHRB-1
CL-8000-SHR-2			1.53													CL-8000-SHRB-2
CL-10000-SHR-1	10000	1"-8	1.28	1.72	6.55	1-1/16	1.40	4.94	3.00	5.06	2.72	5.80	2.37	.24	230	CL-10000-SHRB-1
CL-10000-SHR-2			1.53													CL-10000-SHRB-2
CL-10000-SHR-3			2.28													CL-10000-SHRB-3

CONTINUED ON NEXT PAGE