

EXPANDING PINS

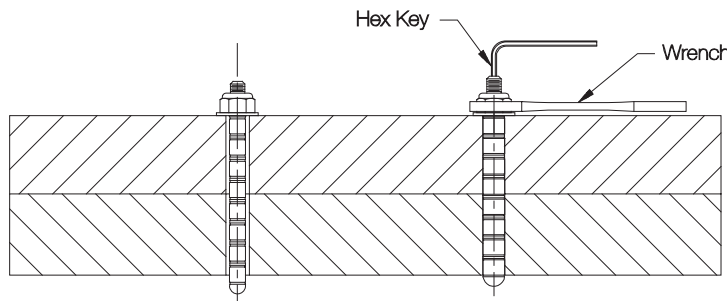
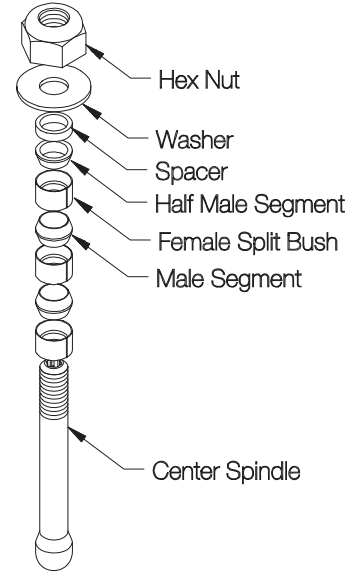
SPLIT BUSHINGS, MALE SEGMENTS, & SPACERS: 17-4PH STAINLESS STEEL, RC 40 MIN, PASSIVATED, DRY FILM LUBE
 CENTER SPINDLE: 17-4PH STAINLESS STEEL, RC 36-40, PASSIVATED, DRY FILM LUBE
 WASHER: 17-4PH STAINLESS STEEL, PASSIVATED, DRY FILM LUBE
 HEX NUT: 17-4PH STAINLESS STEEL, WITH LOCKING ELEMENT

1

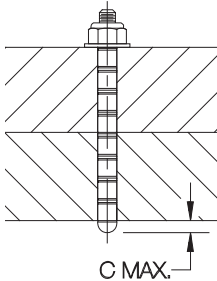


Hex Head

Precision alignment pin that expands up to .006 inches to tighten up hole clearance. The pin is an assembly of female split bushings separated by male segments, on a center spindle, that expands when drawn together. This assembly provides excellent shear strength, comparable to a solid pin. Diameters from 1/4 to 3/4" are available in several standard lengths. Pins can be installed in through holes or blind holes. **INFO+**: Also see page 61, for cam-handle type.



Tightening the hex nut with a wrench expands pin diameter up to .006 inches, to take up slack and secure the pin in place. Hold center spindle stationary with a hex key while tightening.



Important: Install pin so that all split bushings are contained in the installation hole.

HEX HEAD

PART NO.	A DIA			B	C	D	E	G	H DIA	J	DOUBLE-SHEAR STRENGTH (LBS)*	INSTALLATION TORQUE (FT-LBS)
	NOMINAL	MIN	MAX									
CL-4-EXPH-0.50	1/4	.250	.254	.50	1/4	3/8	3/32	.39	.67	#10-32	4,000	3
CL-4-EXPH-0.75				.75								
CL-4-EXPH-1.00				1.00								
CL-4-EXPH-1.50				1.50								
CL-4-EXPH-2.00				2.00								
CL-4-EXPH-3.00				3.00								
CL-5-EXPH-1.00	5/16	.312	.317	1.00	5/16	3/8	3/32	.40	.67	#10-32	6,300	3
CL-5-EXPH-2.00				2.00								
CL-5-EXPH-3.00				3.00								
CL-6-EXPH-1.00	3/8	.375	.380	1.00	3/8	7/16	1/8	.49	.67	1/4-28	9,000	7.5
CL-6-EXPH-1.50				1.50								
CL-6-EXPH-2.00				2.00								
CL-6-EXPH-3.00				3.00								
CL-8-EXPH-0.50	1/2	.500	.505	.50	1/2	9/16	3/16	.71	.92	3/8-24	16,100	29
CL-8-EXPH-1.00				1.00								
CL-8-EXPH-1.50				1.50								
CL-8-EXPH-2.00				2.00								
CL-8-EXPH-3.00				3.00								
CL-10-EXPH-1.00				5/8								
CL-10-EXPH-1.50	1.50											
CL-10-EXPH-2.00	2.00											
CL-10-EXPH-3.00	3.00											
CL-12-EXPH-2.00	3/4	.750	.757	2.00	3/4	7/8	1/4	1.02	1.35	9/16-18	36,200	121
CL-12-EXPH-3.00				3.00								
CL-12-EXPH-4.00				4.00								

* 2:1 Safety Factor

