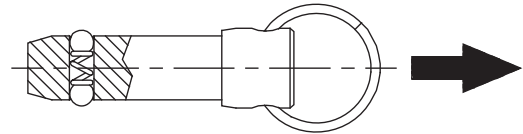


DETENT PINS

SHANK & HEAD: 300-SERIES STAINLESS STEEL, PASSIVATED; SPRING & RING: 302 STAINLESS STEEL; BALLS: 440C STAINLESS STEEL

1



Solid alignment pin with spring-loaded locking balls (not positive locking like a Ball Lock Pin). Simply push pin to insert, and pull to remove. Available in stainless steel. Standard shank diameters from 3/16 to 1" (6 to 20mm in metric). Note: 3/16-diameter pins have one ball, instead of two, due to their small size. Any grip length up to 6" (150mm in metric) is available as a standard, at no extra charge. Available from stock in many standard grip lengths, or quickly made to order in custom lengths and diameters.

Optional Cable

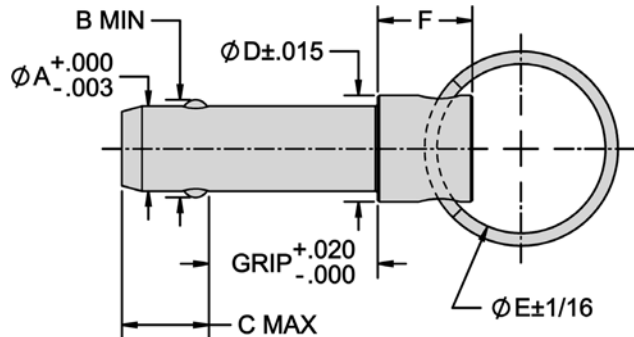
The optional attached Cable Assembly (-C) is 12" long (part no. CL-82-KA-12.0 if ordered separately), while the optional attached Nylon Lanyard (-NL) is 10" long (part no. CL-1-NL-10 if ordered separately). Both have an eyelet at the free end for a #10 or M5 attachment screw.

Ordering Example (INCH):

CL - 4 - DEP - 1.50 - S - C
 Diameter (16ths of an inch) ————
 Grip length (inches) ————
 Add -C for attached Cable Assembly or
 - NL for attached Nylon Lanyard

Ordering Example (Metric):

CLM - 6 - DEP - 50 - S - C
 Add M for metric ————
 Diameter (mm) ————
 Grip length (mm) ————
 Add -C for attached Cable Assembly or
 - NL for attached Nylon Lanyard



INCH

PART NO.	A DIA		B	C	D DIA	E DIA	F	STOCK GRIP LENGTH (INCHES)												
	NOMINAL	ACTUAL						0.50	0.75	1.00	1.25	1.50	1.75	2.00	2.25	2.50	3.00	3.50	4.00	
CL-3-DEP-x.xx-S	3/16(#10)	.1880	.217	.250	.375	1.00	.56	•	•	•	•	•								
CL-4-DEP-x.xx-S	1/4	.2480	.280	.344																
CL-5-DEP-x.xx-S	5/16	.3105	.360	.359	.438															
CL-6-DEP-x.xx-S	3/8	.3730	.430	.390	.500															
CL-8-DEP-x.xx-S	1/2	.4980	.570	.516	.625															
CL-10-DEP-x.xx-S	5/8	.6230	.720	.672	.750			1.50												
CL-12-DEP-x.xx-S	3/4	.7480	.860	.750	.875			2.00												
CL-16-DEP-x.xx-S	1	.9980	1.160	.984	1.125															

METRIC

PART NO.	A DIA		B	C	D DIA	E DIA	F	STOCK GRIP LENGTH (mm)						
	NOMINAL	ACTUAL						15	20	25	30	40	50	
CLM-6-DEP-xx-S	6mm	.2342	.266	.344	.375	1.00	.56	•	•			•	•	
CLM-8-DEP-xx-S	8mm	.3130	.363	.359	.438							•	•	
CLM-10-DEP-xx-S	10mm	.3917	.451	.390	.500							•	•	•
CLM-12-DEP-xx-S	12mm	.4704	.540	.516	.563									•