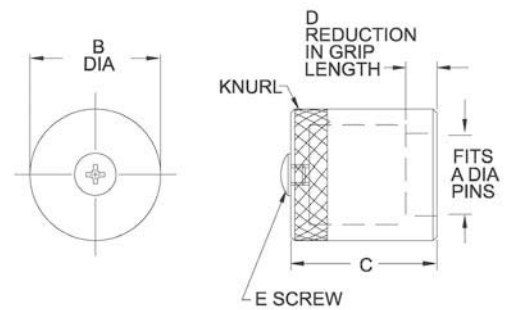
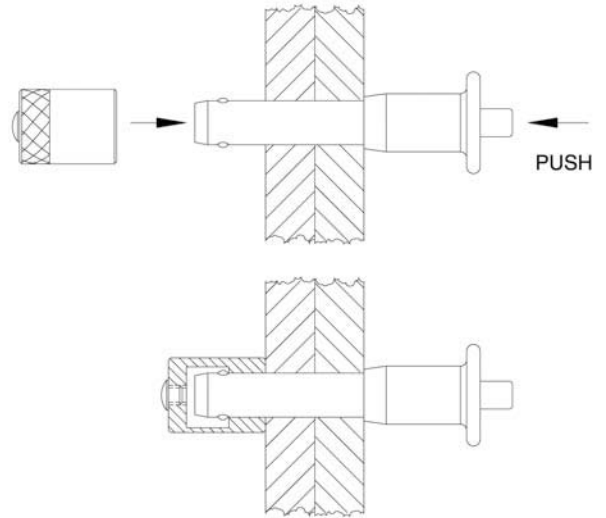


BALL LOCK RECEIVER CAPS

300-SERIES STAINLESS STEEL, PASSIVATED



Receiver Caps are ideal for securing Ball Lock Pins used in clevis applications, especially when the through-hole has excess clearance. The Receiver Cap's inside diameter fits the Ball Lock Pin exactly, and is stepped to provide a perfect locking surface for the balls. Available to fit Ball Lock Pin diameters from 3/16 to 1" (5 to 20mm in metric). Made of 300-series stainless steel. Please note, using a Receiver Cap reduces the Ball Lock Pin's effective grip length slightly (see D dimension).



Receiver Caps are tapped to allow fastening the eyelet end of a standard Ball Lock Pin Cable Assembly (12" long) or Nylon Lanyard (10" long), and include a fastening screw.

INCH

PART NO.	A DIA	B DIA	C	D	E
CL-3-BLR-S	3/16 (#10)	.50	.72	1/4	#10-32
CL-4-BLR-S	1/4	.50	.81		
CL-5-BLR-S	5/16	.63	.81	1/2	
CL-6-BLR-S	3/8	.75	1.16		
CL-7-BLR-S	7/16	.75	1.16		
CL-8-BLR-S	1/2	.88	1.25		
CL-9-BLR-S	9/16	.88	1.25		
CL-10-BLR-S	5/8	1.00	1.31		
CL-12-BLR-S	3/4	1.25	1.45		
CL-14-BLR-S	7/8	1.50	1.48		
CL-16-BLR-S	1	1.50	1.69		

METRIC

PART NO.	A DIA (mm)	B DIA (mm)	C (mm)	D (mm)	E THREAD	THREAD PITCH
CL-5-BLR-S	5	12.5	24	10	M5	.8
CL-6-BLR-S	6	12.5	24			
CL-8-BLR-S	8	16	25			
CL-10-BLR-S	10	19	26			
CL-12-BLR-S	12	22	29			
CL-16-BLR-S	16	25	32			
CL-20-BLR-S	20	32	38			