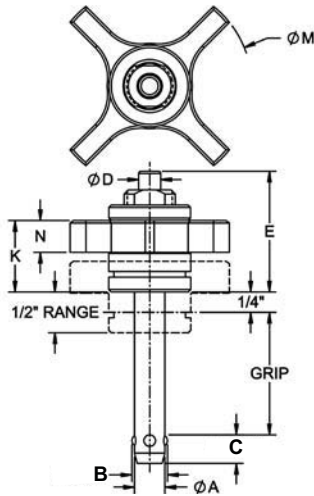


ADJUSTABLE BALL LOCK PINS



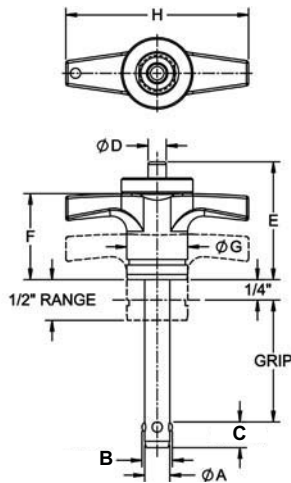
Knob Handle



ABPK



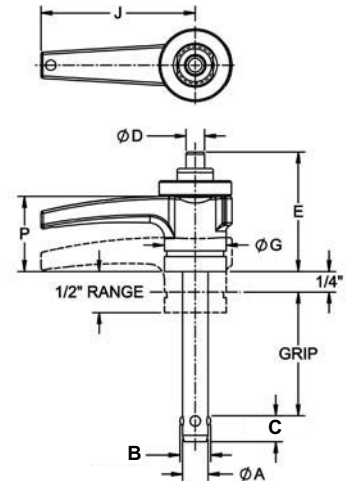
T Handle



ABPT



L Handle



ABPL

INCH

PART NO.	A DIA		B ±.012	C ±.010	D DIA	E	F	G DIA	H	J	K	L	M	N
	NOMINAL	ACTUAL												
CL-4-ABPx-x.xx-S	1/4	.2485/.2470	.290	.275	.22	1.51	1.06	.75	2.25	1.87	.81	.58	1.75	.38
CL-5-ABPx-x.xx-S	5/16	.3110/.3095	.375	.315	.22	1.45	1.06	.75	2.25	1.87	.81	.58	1.75	.38
CL-6-ABPx-x.xx-S	3/8	.3735/.3720	.438	.350	.27	1.48	1.06	.93	3.00	2.50	.88	.63	2.12	.44
CL-7-ABPx-x.xx-S	7/16	.4360/.4345	.508	.365	.27	1.48	1.06	.93	3.00	2.50	.88	.63	2.12	.44
CL-8-ABPx-x.xx-S	1/2	.4985/.4970	.592	.445	.39	1.55	1.06	.93	3.00	2.50	1.00	.55	2.12	.44
CL-9-ABPx-x.xx-S	9/16	.5610/.5595	.666	.495	.39	1.55	1.06	.93	3.00	2.50	1.00	.55	2.12	.44
CL-10-ABPx-x.xx-S	5/8	.6235/.6220	.750	.565	.50	2.07	1.25	1.31	3.50	2.87	1.25	1.13	2.75	.50
CL-12-ABPx-x.xx-S	3/4	.7485/.7470	.886	.655	.50	2.07	1.25	1.31	3.50	2.87	1.25	1.13	2.75	.50
CL-14-ABPx-x.xx-S	7/8	.8735/.8720	1.044	.745	.71	2.34	1.62	1.50	4.30	4.00	1.62	1.00	4.00	.75
CL-16-ABPx-x.xx-S	1	.9985/.9970	1.217	.875	.71	2.34	1.62	1.50	4.30	4.00	1.62	1.00	4.00	.75

METRIC

PART NO.	A DIA (mm)		B ±.304 (mm)	C ±.254 (mm)	D DIA (mm)	K (mm)	L (mm)	M (mm)	N (mm)
	NOMINAL	ACTUAL							
CLM-6-ABPx-xx-S	6	5.96 / 5.92	7.06	6.99	5.5	20.5	16.5	44.5	9.5
CLM-8-ABPx-xx-S	8	7.96 / 7.92	9.42	8.00	5.5	20.5	19	44.5	9.5
CLM-10-ABPx-xx-S	10	9.96 / 9.92	11.91	8.89	7	22.5	18.5	54	11
CLM-12-ABPx-xx-S	12	11.96 / 11.92	14.40	11.30	7	25.5	18.5	54	11
CLM-16-ABPx-xx-S	16	15.96 / 15.92	19.00	14.35	12.5	32	28.5	70	12.5
CLM-20-ABPx-xx-S	20	19.96 / 19.92	24.08	20.19	12.5	51	25.5	70	12.5