

# HEAVY-DUTY BALL LOCK PINS



T Handle



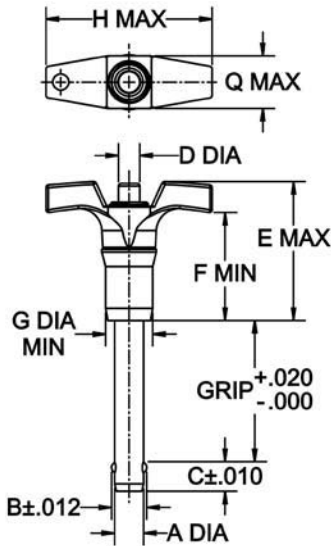
L Handle



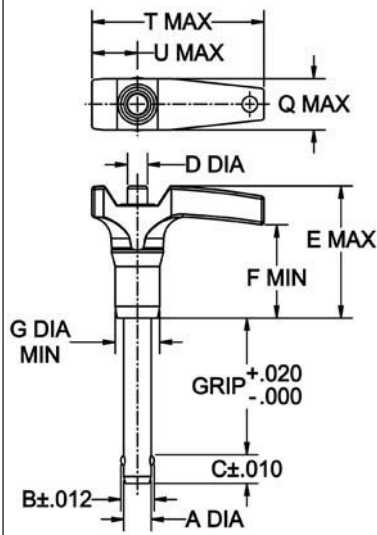
Button Handle



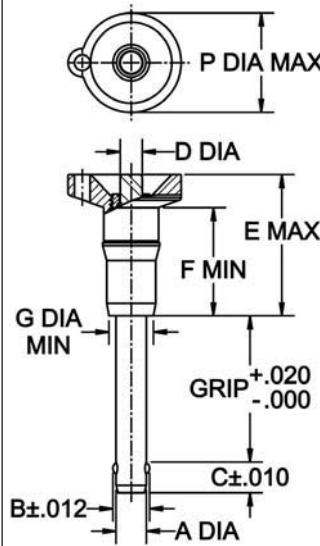
Ring Handle



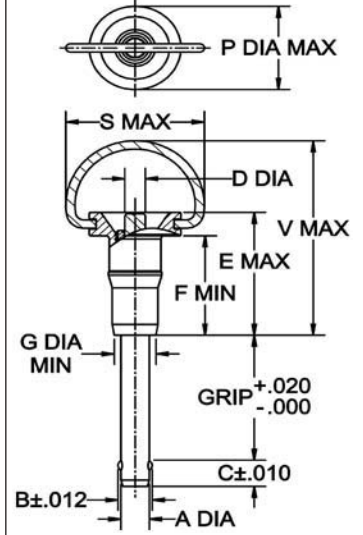
BLHT



BLHL



BLHB



BLHR

**INCH**

PART NO.	A DIA		B	C	D DIA	E	F	G DIA	H	P DIA	Q	S	T	U	V
	NOMINAL	ACTUAL													
CL-3-BLHx-x.xx-S	3/16 (#10)	.1885/.1870	.220	.245	.25	1.52	.70	.38	1.82	1.07	.63	1.56	1.95	.54	2.13
CL-4-BLHx-x.xx-S	1/4	.2485/.2470	.289	.275											
CL-5-BLHx-x.xx-S	5/16	.3110/.3095	.375	.315											
CL-6-BLHx-x.xx-S	3/8	.3735/.3720	.440	.350	.30	1.47	.85	.51	2.35	1.39	.80	2.00	2.51	.70	2.34
CL-7-BLHx-x.xx-S	7/16	.4360/.4345	.509	.365											
CL-8-BLHx-x.xx-S	1/2	.4985/.4970	.594	.445											

**METRIC**

CLM-5-BLHx-xx-S	5mm	.1954/.1939	.210	.245	.25	.39	.70	.38	1.82	1.07	.63	1.56	1.95	.54	2.13
CLM-6-BLHx-xx-S	6mm	.2347/.2332	.275	.275											
CLM-8-BLHx-xx-S	8mm	.3135/.3120	.371	.315											
CLM-10-BLHx-xx-S	10mm	.3922/.3907	.467	.350	.30	.37	.85	.51	2.35	1.39	.80	2.00	2.51	.70	2.34
CLM-12-BLHx-xx-S	12mm	.4709/.4694	.569	.445											