

SLOTTED LOCATOR TEMPLATE BUSHINGS

BUSHING: 1144 STEEL, HEAT TREAT
RETAINER RING: ALUMINUM

1



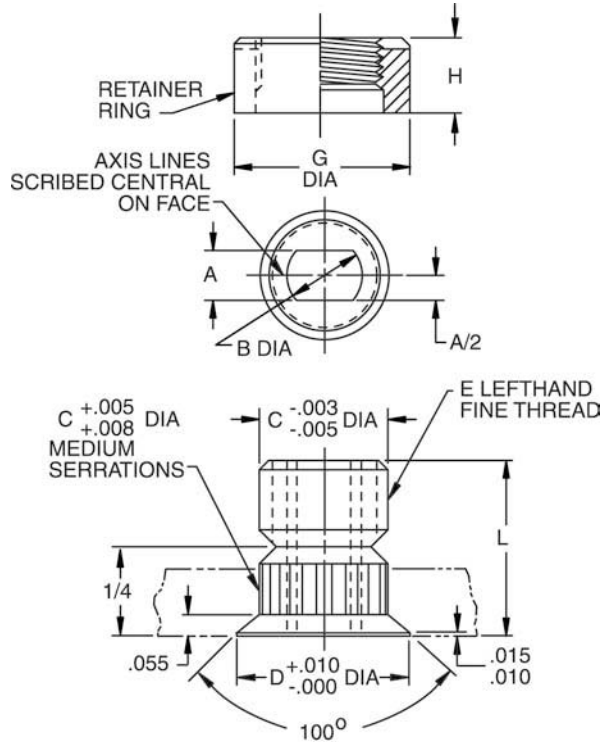
Retainer Ring



Bushing

These Slotted Locator Bushings are designed for thin template jig plates from 3/64" to 3/8" thick. Use with L Pins, T Pins, or Shoulder Pins to align two holes without binding. Precision bushing with a tight tolerance in one direction and full relief in the perpendicular direction. Bushings are held in place by a threaded Retainer Ring (order separately). Flush contact of the Retainer Ring against the jig plate ensures perpendicularity. OD serrations prevent the bushing from rotating. Threaded Template Bushings can be easily removed to replace or reuse. Available for pin diameters from 3/16 to 3/4".

To install, drill hole in jig plate to nominal bushing OD (B diameter). Countersink 90° to allow bushing to seat flush to .015" below surface of plate. Install and tighten Retainer Ring to secure. To make Retainer Ring installation easier, we offer a handy Socket-Type Installation Tool that fits 1/4" square drives.



INCH

PART NO.	PIN DIA	A	B DIA	C DIA	D DIA	E	L	RETAINER RING PART NO.	TEMPLATE THICKNESS	G DIA	H
CL-40-SLTB-.1875	3/16	.1876/.1882	3/8	.625	.725	5/8-18 LH	1/2	TTR-40-6	.047-.125	3/4	3/8
								TTR-40-5	.126-.188		5/16
								TTR-40-3	.189-.375		3/16
CL-40-SLTB-.1935	#10	.1936/.1942	3/8	.625	.725	5/8-18 LH	1/2	TTR-40-6	.047-.125	3/4	3/8
								TTR-40-5	.126-.188		5/16
								TTR-40-3	.189-.375		3/16
CL-40-SLTB-.2500	1/4	.2501/.2507	3/8	.625	.725	5/8-18 LH	1/2	TTR-40-6	.047-.125	3/4	3/8
								TTR-40-5	.126-.188		5/16
								TTR-40-3	.189-.375		3/16
CL-48-SLTB-.3125	5/16	.3126/.3132	7/16	.750	.850	3/4-16 LH	1/2	TTR-48-6	.047-.125	1	3/8
								TTR-48-5	.126-.188		5/16
								TTR-48-3	.189-.375		3/16
CL-48-SLTB-.3750	3/8	.3751/.3757	1/2	.750	.850	3/4-16 LH	1/2	TTR-48-6	.047-.125	1	3/8
								TTR-48-5	.126-.188		5/16
								TTR-48-3	.189-.375		3/16
CL-48-SLTB-.5000	1/2	.5001/.5007	5/8	.750	.850	3/4-16 LH	1/2	TTR-48-6	.047-.125	1	3/8
								TTR-48-5	.126-.188		5/16
								TTR-48-3	.189-.375		3/16
CL-64-SLTB-.6250	5/8	.6251/.6257	3/4	1.000	1.100	1"-14 LH	5/8	TTR-64-6	.047-.125	1-1/4	3/8
								TTR-64-5	.126-.188		5/16
								TTR-64-3	.189-.375		3/16
CL-64-SLTB-.7500	3/4	.7501/.7510	13/16	1.000	1.100	1"-14 LH	5/8	TTR-64-6	.047-.125	1-1/4	3/8
								TTR-64-5	.126-.188		5/16
								TTR-64-3	.189-.375		3/16