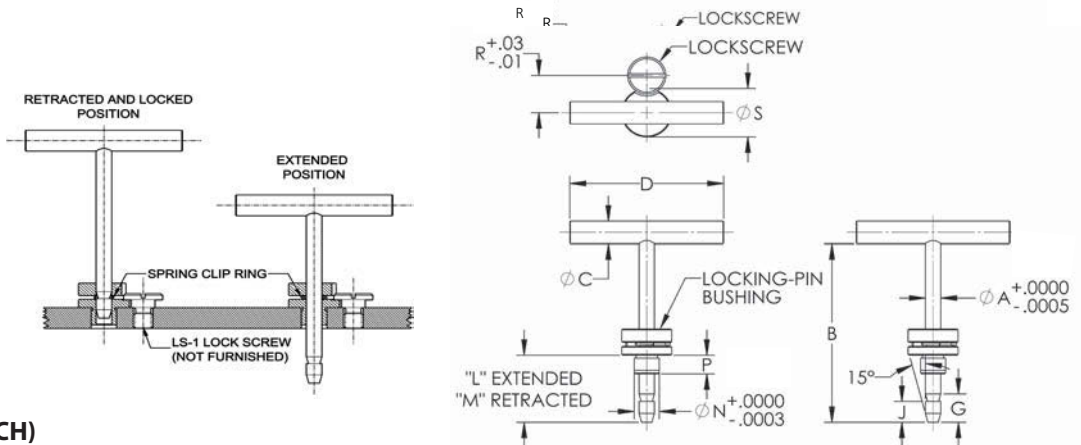


LOCKING T PINS

PIN: 1215 STEEL, CASE HARDENED, BLACK OXIDE FINISH
 HANDLE: 1215 STEEL, BLACK OXIDE FINISH
 BUSHING: 1144 STEEL, CASE HARDENED, BLACK OXIDE FINISH
 RETAINER CLIP : SPRING STEEL

Similar to a standard T Pin, except that the pin body is positively retained in a locking bushing. In fully retracted position, the bushing's spring clip snaps into the pin's radial groove. This holds the pin fully retracted by spring force and positively prevents removal. Spring pressure also holds the pin in intermediate extended positions, an advantage especially if the fixture is turned upside down. Available in pin diameters from 3/16 to 1/2" (6 to 12mm in metric), most in a choice of several pin lengths.

Locking-Pin Bushings are designed to press fit in a standard reamed hole. Secure with the included Lockscrew to positively hold the bushing in place. Shorter or longer bushings are available in most sizes, for thinner or thicker plates.



COMPLETE ASSEMBLY (INCH)

PART NO.	A DIA		B PIN LENGTH	P BUSHING LENGTH UNDER HEAD		C DIA	D	L	N DIA		R +.03/- .01	S	T PIN (INCLUDED)	BUSHING (INCLUDED)	LOCKSCREW (INCLUDED)		
	NOMINAL	ACTUAL +0/- .0005		NOMINAL	ACTUAL +0/- .0003												
CL-1A-LTP-B	3/16	.1865	1-1/2	Standard	.31	5/16	2-1/2	1	13/16	.4078	.62	13/16	CL-1A-LTP	CL-3-LPB	LS-1		
CL-1-LTP-B			3	Standard	.31			2-1/2					CL-1-LTP	CL-3-LPB			
CL-38-LTP-B	1/4	.2490	2	Standard	.31	3/8	2-1/2	1-1/2	13/16	.4078	.62	13/16	CL-38-LTP	CL-4-LPB	LS-1		
CL-38-LTP-B-2				Long	.50			2-1/2					CL-4-LPB	CL-4A-LPB			
CL-5-LTP-B			3	Standard	.31								3-1/2	CL-5-LTP		CL-4-LPB	CL-4A-LPB
CL-5-LTP-B-2				Long	.50			CL-25-LTP						CL-4-LPB		CL-4A-LPB	
CL-25-LTP-B	4	Standard	.31	Long	.50	3-1/2	CL-39-LTP-B-1	5/16	.3115	.62	13/16	CL-39-LTP	CL-5-LPB	LS-1			
CL-25-LTP-B-2													Long		.50	CL-39-LTP-B	CL-5A-LPB
CL-7-LTP-B-1	5/16	.3115	2	Standard	.31	5/8	3	1-1/2	1/2	.5017	.62	13/16	CL-7-LTP	CL-5-LPB	LS-1		
CL-7-LTP-B				3-1/2	Medium			.37					3	CL-7-LTP		CL-5A-LPB	CL-5B-LPB
CL-7-LTP-B-3			Long		.50			5-1/2						CL-8-LTP		CL-5-LPB	CL-5A-LPB
CL-8-LTP-B-1			6	Standard	.31								5-1/2			CL-8-LTP	CL-5-LPB
CL-8-LTP-B				Medium	.37			CL-40A-LTP						CL-6-LPB			CL-6A-LPB
CL-8-LTP-B-3				Long	.50									5/8			3-1/2
CL-40A-LTP-B-1	2	Standard		.31	3-1/2	CL-10-LTP	CL-6A-LPB	CL-6-LPB									
CL-40A-LTP-B	Long	.50	5-1/2	CL-13A-LTP			CL-8-LPB	CL-8A-LPB									
CL-9-LTP-B-1	4	Standard			.31	5-1/2	CL-13-LTP	CL-8-LPB	CL-8A-LPB								
CL-9-LTP-B		Long	.50	1/2	.4990			5/8	3-1/2	3/4	.7518	.75	1-1/16	CL-13-LTP	CL-8-LPB	LS-1	
CL-10-LTP-B-1	6	Standard	.31			5-1/2	CL-14-LTP							CL-8-LPB	CL-8A-LPB		
CL-10-LTP-B		Long	.50	5-1/2	CL-14-LTP			CL-8-LPB	CL-8A-LPB								
CL-13A-LTP-B-1	2	Standard	.50			5-1/2	CL-14-LTP	CL-8-LPB	CL-8A-LPB								
CL-13A-LTP-B		Long	.75	5-1/2	CL-14-LTP			CL-8-LPB	CL-8A-LPB								
CL-13-LTP-B-1	4	Standard	.50			5-1/2	CL-14-LTP	CL-8-LPB	CL-8A-LPB								
CL-13-LTP-B		Long	.75	5-1/2	CL-14-LTP			CL-8-LPB	CL-8A-LPB								
CL-14-LTP-B-1	6	Standard	.50			5-1/2	CL-14-LTP	CL-8-LPB	CL-8A-LPB								
CL-14-LTP-B		Long	.75	5-1/2	CL-14-LTP			CL-8-LPB	CL-8A-LPB								

COMPLETE ASSEMBLY (METRIC)

CLM-6-LTP-B	6mm	.2352	3	Standard	.31	3/8	2-1/2	2-1/2	10mm	.3952	.630	.87	CLM-6-LTP	CLM-6-LPB	LSM-3
CLM-8-LTP-B	8mm	.3140	3	Standard	.39	7/16	3	2-1/2	13mm	.5135	.630	.87	CLM-8-LTP	CLM-8-LPB	LSM-3
CLM-10-LTP-B	10mm	.3927	3	Standard	.47	1/2	3-1/2	2-1/2	16mm	.6316	.630	.87	CLM-10-LTP	CLM-10-LPB	LSM-3
CLM-12-LTP-B	12mm	.4715	4	Standard	.71	5/8	3-1/2	3-1/2	20mm	.7892	.709	1.02	CLM-12-LTP	CLM-12-LPB	LSM-3