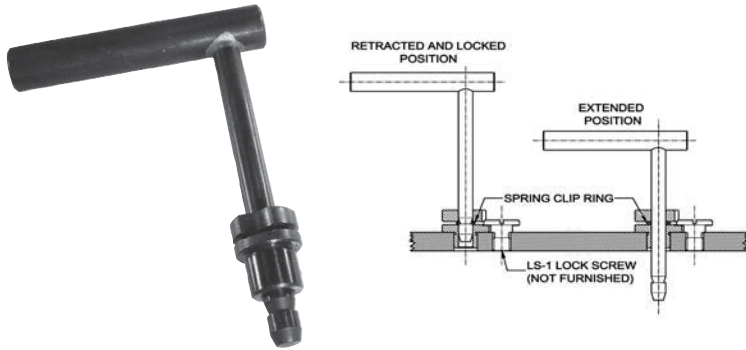


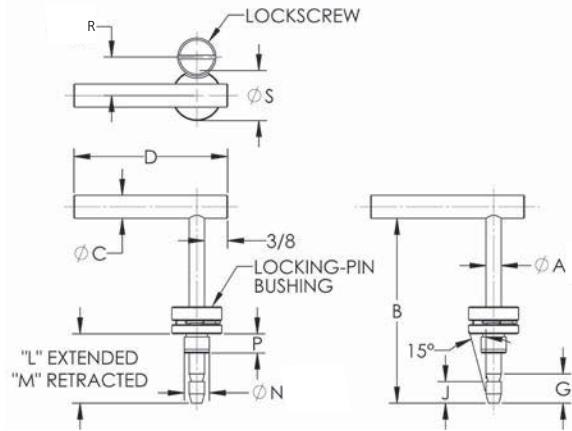
# LOCKING L PINS

PIN: 1215 STEEL, CASE HARDENED, BLACK OXIDE FINISH  
 HANDLE: 1215 STEEL, BLACK OXIDE FINISH  
 BUSHING: 1144 STEEL, CASE HARDENED, BLACK OXIDE FINISH



Similar to a standard L Pin, except that the pin body is positively retained in a locking bushing. In fully retracted position, the bushing's spring clip snaps into the pin's radial groove. This holds the pin fully retracted by spring force and positively prevents removal. Spring pressure also holds the pin in intermediate extended positions, an advantage especially if the fixture is turned upside down. Available in pin diameters from 3/16 to 1/2" (6 to 12mm in metric), most in a choice of several pin lengths.

Locking-Pin Bushings are designed to press fit in a standard reamed hole. Secure with the included Lockscrew to positively hold the bushing in place. Shorter or longer bushings are available in most sizes, for thinner or thicker plates.



## COMPLETE ASSEMBLY (INCH)

PART NO.	A DIA		B PIN LENGTH	P BUSHING LENGTH UNDER HEAD	C DIA	D	N DIA		R	S	L PIN (INCLUDED)	BUSHING (INCLUDED)	LOCKSCREW (INCLUDED)	
	NOMINAL	ACTUAL +0/-0.0005					NOMINAL	ACTUAL +0/-0.0003						
CL-1A-LLP-B	3/16	.1865	1-1/2	Standard	.31	5/16	2-1/2	13/32	.4078	.62	13/16	CL-1A-LLP	CL-3-LPB	LS-1
CL-1-LLP-B			3	Standard								CL-1-LLP		
CL-38-LLP-B	1/4	.2490	2	Standard	.31	3/8	2-1/2	13/32	.4078	.62	13/16	CL-38-LLP	CL-4-LPB	LS-1
CL-38-LLP-B-2				Long								.50	CL-4A-LPB	
CL-5-LLP-B			3	Standard	.31							CL-5-LLP	CL-4-LPB	
CL-5-LLP-B-2				Long	.50							CL-4A-LPB		
CL-25-LLP-B			4	Standard	.31							CL-25-LLP	CL-4-LPB	
CL-25-LLP-B-2				Long	.50							CL-4A-LPB		
CL-39-LLP-B-1	5/16	.3115	3-1/2	Standard	.31	5/8	3	1/2	.5017	.62	13/16	CL-39-LLP	CL-5-LPB	LS-1
CL-39-LLP-B				Medium								.37	CL-5A-LPB	
CL-39-LLP-B-3				Long								.50	CL-5B-LPB	
CL-7-LLP-B-1	5/16	.3115	3-1/2	Standard	.31	5/8	3	1/2	.5017	.62	13/16	CL-7-LLP	CL-5-LPB	LS-1
CL-7-LLP-B				Medium								.37	CL-5A-LPB	
CL-7-LLP-B-3				Long								.50	CL-5B-LPB	
CL-8-LLP-B-1			6	Standard	.31							CL-8-LLP	CL-5-LPB	
CL-8-LLP-B				Medium	.37							CL-5A-LPB		
CL-8-LLP-B-3				Long	.50							CL-5B-LPB		
CL-40A-LLP-B-1	3/8	.3740	2	Standard	.31	5/8	3-1/2	5/8	.6267	.62	13/16	CL-40A-LLP	CL-6-LPB	LS-1
CL-40A-LLP-B				Long								.50	CL-6A-LPB	
CL-9-LLP-B-1			4	Standard	.31							CL-9-LLP	CL-6-LPB	
CL-9-LLP-B				Long	.50							CL-6A-LPB		
CL-10-LLP-B-1	6	Standard	.31	CL-10-LLP	CL-6-LPB									
CL-10-LLP-B		Long	.50	CL-6A-LPB										
CL-13A-LLP-B-1	1/2	.4990	2	Standard	.50	5/8	3-1/2	3/4	.7518	.75	1-1/16	CL-13A-LLP	CL-8-LPB	LS-1
CL-13A-LLP-B				Long								.75	CL-8A-LPB	
CL-13-LLP-B-1			4	Standard	.50							CL-13-LLP	CL-8-LPB	
CL-13-LLP-B				Long	.75							CL-8A-LPB		
CL-14-LLP-B-1			6	Standard	.50							CL-14-LLP	CL-8-LPB	
CL-14-LLP-B				Long	.75							CL-8A-LPB		

## COMPLETE ASSEMBLY (METRIC)

CLM-6-LLP-B	6mm	.2352	3	Standard	.31	3/8	2-1/2	10mm	.3952	.630	.87	CLM-6-LLP	CLM-6-LPB	LSM-3
CLM-8-LLP-B	8mm	.3140	3	Standard	.39	7/16	3-1/2	13mm	.5135	.630	.87	CLM-8-LLP	CLM-8-LPB	LSM-3
CLM-10-LLP-B	10mm	.3927	3	Standard	.47	1/2	3-1/2	16mm	.6316	.630	.87	CLM-10-LLP	CLM-10-LPB	LSM-3
CLM-12-LLP-B	12mm	.4715	4	Standard	.71	5/8	3-1/2	20mm	.7892	.709	1.02	CLM-12-LLP	CLM-12-LPB	LSM-3