

L & T PINS

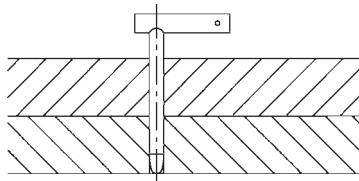
PIN: 1215 STEEL, CASE HARDENED, BLACK OXIDE FINISH
HANDLE: 1215 STEEL, BLACK OXIDE FINISH

1

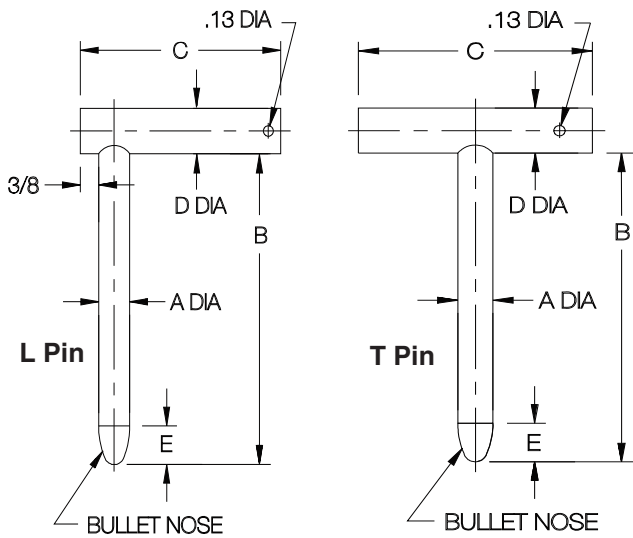


L Pin

T Pin



L and T Pins are removable locating pins, precision ground for accurately aligning holes. The pin is inset in the handle and silver soldered to create a sturdy assembly. The handle is drilled for attaching a cable.



INCH

L PIN PART NO.	T PIN PART NO.	A DIA		B ± .06	C	D DIA	E ±.06	
		NOMINAL	ACTUAL +0/-0.0005					
CL-0-LP	CL-0-TP	1/8	.1250	2-1/2	1-1/2	1/4	1/4	
CL-41-LP	CL-41-TP	#30	.1285	3				
CL-00-LP	CL-00-TP	5/32	.1562	3-1/2	2-1/2	5/16	1/4	
CL-1-LP	CL-1-TP	3/16	.1875	3				
CL-21-LP	CL-21-TP			4				
CL-2-LP	CL-2-TP			6				
CL-3-LP	CL-3-TP	#11	.1910	3				
CL-23-LP	CL-23-TP			4				
CL-4-LP	CL-4-TP			6				
CL-43-LP	CL-43-TP	#10	.1935	3	2-1/2	3/8	3/8	
CL-20-LP	CL-20-TP	#9	.1960	3				
CL-44-LP	CL-44-TP	7/32	.2188	3				
CL-38-LP	CL-38-TP	1/4	.2500	2				
CL-5-LP	CL-5-TP			3				
CL-25-LP	CL-25-TP			4				
CL-6-LP	CL-6-TP	F	.2570	6				
CL-17-LP	CL-17-TP			3				
CL-37-LP	CL-37-TP			4				
CL-45-LP	CL-45-TP	9/32	.2812	4				3
CL-39-LP	CL-39-TP	5/16	.3125	2	2-1/2			
CL-7-LP	CL-7-TP			3-1/2	3			
CL-27-LP	CL-27-TP			4	6			
CL-8-LP	CL-8-TP	3/8	.3750	3	2-1/2	1/2	1/2	
CL-40-LP	CL-40-TP			4				
CL-9-LP	CL-9-TP			5	3-1/2			
CL-29-LP	CL-29-TP			6				
CL-10-LP	CL-10-TP			7				
CL-30-LP	CL-30-TP			4	7/16			9/16
CL-11-LP	CL-11-TP	5	1/2	5/8		5/8		
CL-31-LP	CL-31-TP	6						
CL-12-LP	CL-12-TP	7						
CL-32-LP	CL-32-TP	4	9/16	5/8		5/8		
CL-13-LP	CL-13-TP	6						
CL-14-LP	CL-14-TP	7						
CL-33-LP	CL-33-TP	9	5/8	5/8	5/8			
CL-34-LP	CL-34-TP	4						
CL-18-LP	CL-18-TP	6				3-1/2	7/8	3/4
CL-19-LP	CL-19-TP	6						
CL-15-LP	CL-15-TP	8						
CL-35-LP	CL-35-TP	3/4	.7500	6	3-1/2	7/8	3/4	
CL-16-LP	CL-16-TP			6				
CL-36-LP	CL-36-TP			8				

METRIC

PART NO.	A DIA +0/-0.013 (mm)	B ±1.52 (mm)	C (mm)	D DIA (mm)	E ±1.52 (mm)
CLM-4-LP	4	89	63.5	8	5
CLM-5-LP	5	76	63.5	8	5
CLM-50-LP	5	152	63.5	8	5
CLM-6-LP	6	76	63.5	9.5	6.5
CLM-60-LP	6	152	63.5	9.5	6.5
CLM-8-LP	8	89	76	11	11
CLM-80-LP	8	152	76	11	11
CLM-10-LP	10	76	63.5	12.5	11
CLM-100-LP	10	152	89	12.5	11
CLM-12-LP	12	102	89	16	11
CLM-120-LP	12	152	89	16	11
CLM-16-LP	16	152	89	22	17.5
CLM-160-LP	16	203	89	22	17.5
CLM-20-LP	20	152	89	22	17.5
CLM-200-LP	20	203	89	22	17.5



To order L or T Pins with a standard 10-12" cable assembly attached, add "-C" to the part number. (CL-2-C cable with a terminal for #10-32 or M5 attachment screw).
Example: CL-7-LP-C